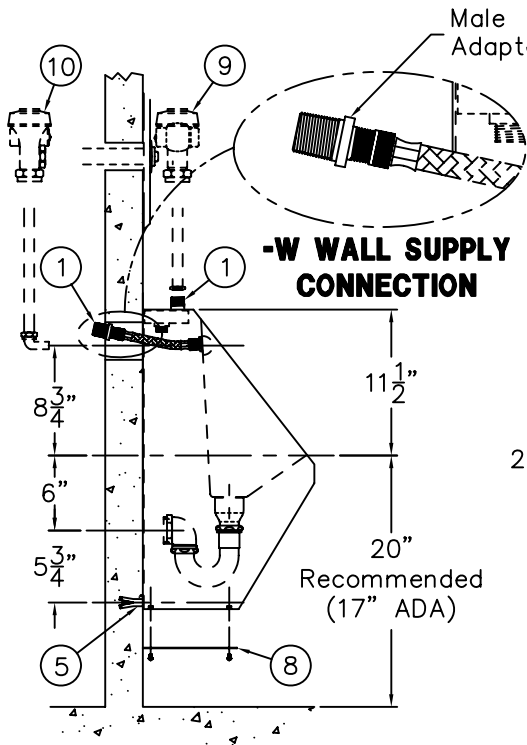
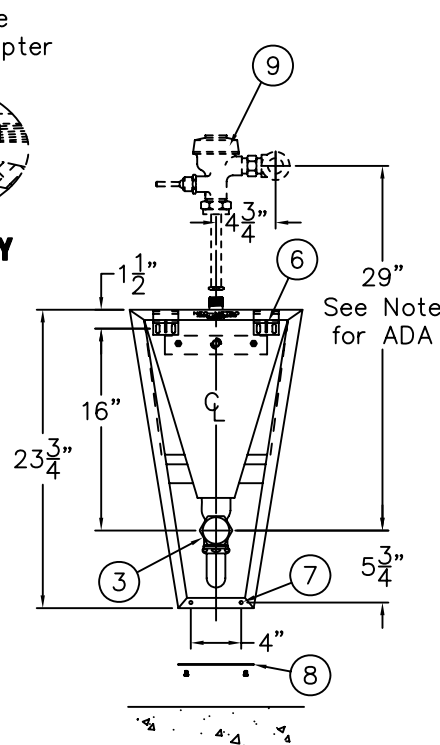


**S-CLIP
DETAIL**

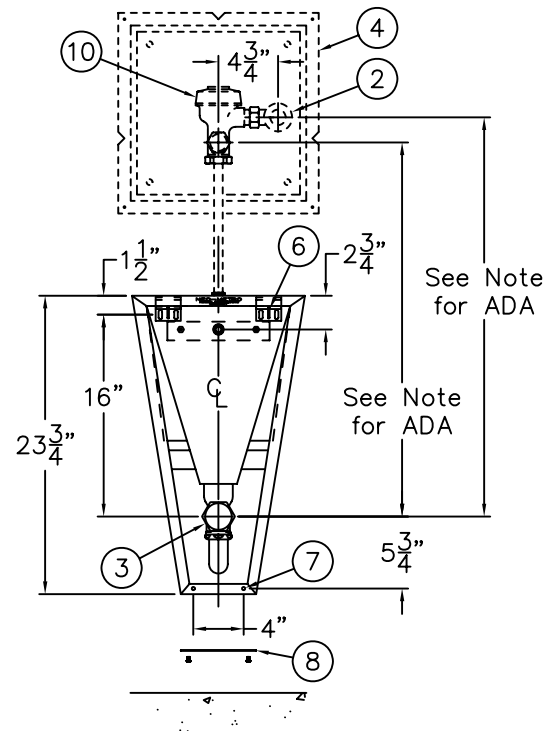


**-W WALL SUPPLY
CONNECTION**

SIDE VIEW



**REAR VIEW
(T) TOP SUPPLY**



**REAR VIEW
(W) WALL SUPPLY**

**INSTALLATION INSTRUCTIONS:
ROUGH-IN:**

- A- 3/4" NPT FLUSHING INLET ① (MALE ADAPTER PROVIDED WITH FLEXIBLE CONNECTION ON -W WALL SUPPLY MODELS)
- B- 3/4" NPT FLUSH VALVE INLET ② WHEN -FV FLUSH VALVE PROVIDED.
- C- 2" WASTE FOR 1-1/2" NPT FEMALE WASTE OUTLET ③.
- D- **IF OPTIONAL 2898 FLUSH VALVE ACCESS PANEL** ④ REQUIRED FOR WALL SUPPLY FLUSH VALVE, INSTALL SLEEVE. SEE DRAWING #9908-399-001.
- E- INSTALL WALL ANCHORS ⑤ (BY OTHERS) FOR 1/4-20 FASTENERS (BY OTHERS) FOR S-CLIPS ⑥ AND LOWER MOUNTING POINTS ⑦.
- F- PLACE URINAL ONTO S-CLIPS ⑥ AND ANCHOR FIXTURE TO WALL THRU ACCESS PANEL ⑧.

- G- MAKE UP WASTE CONNECTION. REPLACE ACCESS PANEL ⑧.
- H- **FOR OPTIONAL -FV FLUSH VALVE:** CONNECT FLUSH VALVE AS REQUIRED FOR EXPOSED ⑨ OR CONCEALED ⑩ INSTALLATION PER MANUFACTURERS RECOMMENDATIONS. ACCESS FOR CONNECTING AND SERVICING FLUSH VALVE IS REQUIRED FOR -W WALL SUPPLY FLUSH VALVE.

NOTE:

FOR SUFFIX OPTION -ADA UNITS, REFER TO ADA ACCESSIBILITY GUIDELINES FOR COMPLETE INSTALLATION REQUIREMENTS.

- 1- FLUSH VALVE MUST BE HYDRAULICALLY ACTUATED OR SUPPLIED WITH A SPECIAL HANDLE. MAXIMUM CONTROL HEIGHT IS 44" ABOVE FINISHED FLOOR.
- 2- URINAL RIM HEIGHT BECOMES 17" MAXIMUM.

TITLE PRIZM URINAL OFF FLOOR, WALL OUTLET - CAT. # 8946-W/T-1-FM		
MANUFACTURE DATE	DATE ISSUED	DRAWING NUMBER
OCTOBER 1999	11/10/03	9935-051-001
TO PRESENT	DATE REVISED	
	08/13/08	