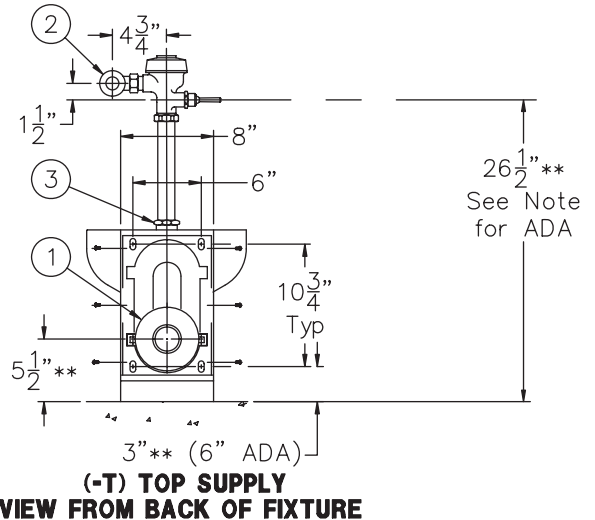
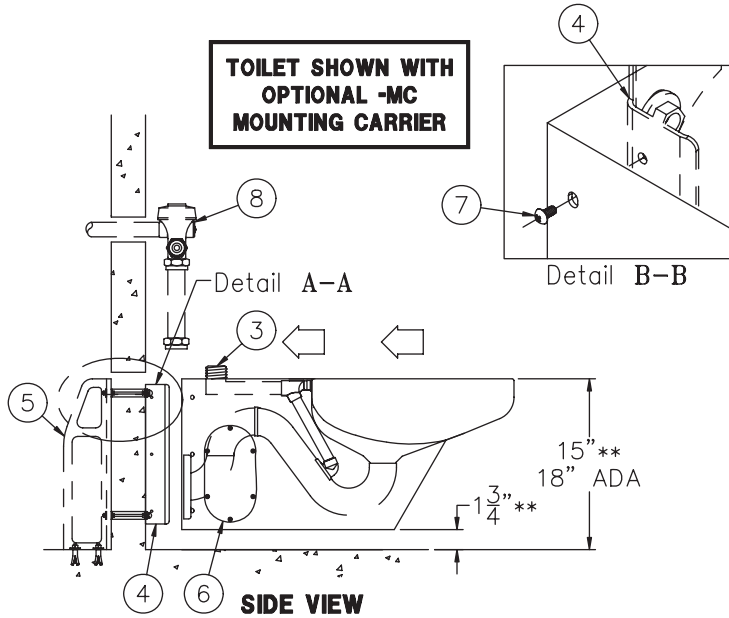
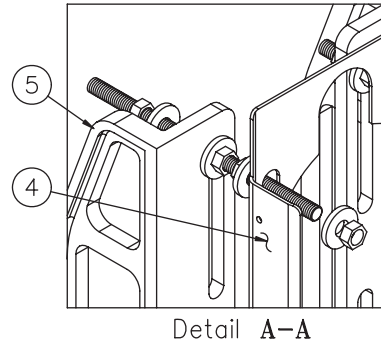
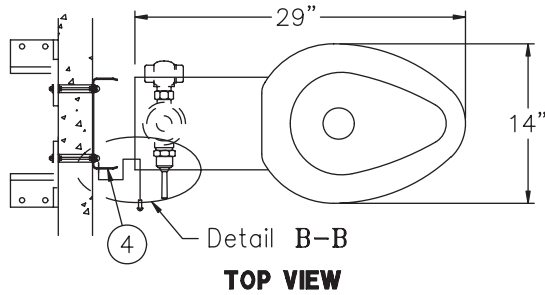


NOTE: USE ONLY APPROPRIATE UPC/cUPC CERTIFIED FLUSH VALVES FOR THIS FIXTURE.
 NOTE: IN-WALL CARRIER IS INTENDED FOR CONCRETE FLOOR INSTALLATION. FOR OTHER FLOOR TYPES CONTACT CARRIER MANUFACTURER.



INSTALLATION INSTRUCTIONS:

A—ROUGH-IN FOR THE FOLLOWING:

- 5-1/2" DIAMETER RECESSED GASKET FLANGE (1).
- FLUSH VALVE INLET 1" NPT (2).
- FIXTURE FLUSHING INLET 1-1/2" NPT (3).

B—UNITS LESS CARRIER: ON FIXTURE SIDE OF REINFORCED WALL, INSTALL WALL ANCHORS BY OTHERS MATCHING MOUNTING LOCATIONS AS INDICATED. SECURE MOUNTING CHANNEL (4) TO WALL WITH INSTALLER PROVIDED HARDWARE.

C—UNITS WITH CARRIER LEGS: FOLLOW MANUFACTURER'S INSTALLATION REQUIREMENTS FOR YOUR CARRIER (5). SECURE MOUNTING CHANNEL (4) TO CARRIER WITH HARDWARE PROVIDED WITH YOUR CARRIER. SEE DETAIL A-A.

D—REMOVE ACCESS PANELS (6) AND SET ASIDE. WHILE HOLDING INSTALLER PROVIDED WASTE GASKET IN PLACE, ALIGN WASTE OUTLET CONNECTIONS & SECURE FIXTURE HOUSING TO MOUNTING CHANNEL LOOSELY WITH 1/4-20 SCREWS (7) PROVIDED.

E—TIGHTEN WASTE CONNECTIONS THRU ACCESS OPENINGS AND REPLACE ACCESS PANELS (6).

F—TIGHTEN 1/4-20 SCREWS (7) SECURING FIXTURE TO MOUNTING CHANNEL (4). SEE DETAIL B-B.

G—FOR OPTIONAL -FV FLUSH VALVE: CONNECT FLUSH (8) AS REQUIRED FOR EXPOSED INSTALLATIONS PER MANUFACTURER'S RECOMMENDATIONS.

NOTE: FOR -ADA UNITS REFER TO ADA ACCESSIBILITY GUIDELINES FOR COMPLETE INSTALLATION REQUIREMENTS.

- 1— ALL VERTICAL DIMENSIONS INDICATED** INCREASE PROPORTIONATELY WITH ADA SEAT HEIGHT: FOR ADA 18" SEAT HEIGHT, WASTE OUTLET BECOMES 8-1/2".
- 2— FLUSH VALVE MUST BE HYDRAULICALLY ACTUATED OR SUPPLIED WITH AN ADA HANDLE. MAX CONTROL HEIGHT IS 44" ABOVE FINISHED FLOOR.

NEO-METRO® P.O. BOX 3527 INDUSTRY, CA. 91744 (800) 591-9050 * (626) 855-4854 FAX (626) 937-4725 WWW.NEO-METRO.COM	TITLE		
	TOP SUPPLY, SIPHON, OFF-FLOOR, WALL OUTLET TOILET - #8955-T-1		
	MANUFACTURE DATE	DATE ISSUED	DRAWING NUMBER
SEPTEMBER 2001	09/05/01	9935-032-001	
TO PRESENT	DATE REVISED		
	04/16/08		