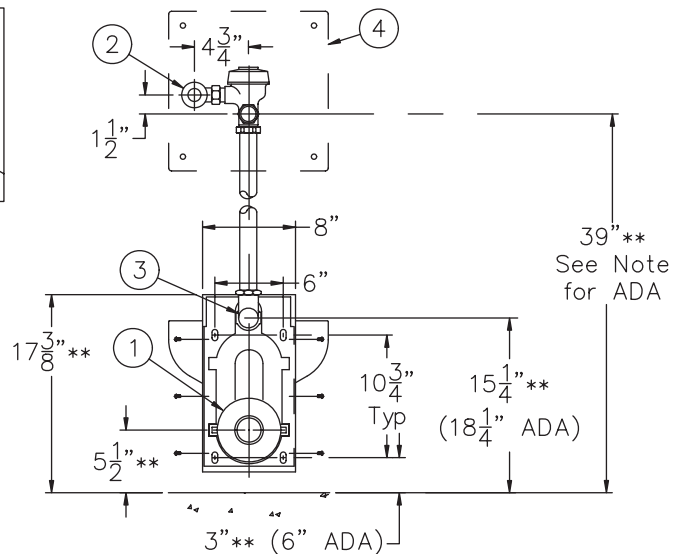
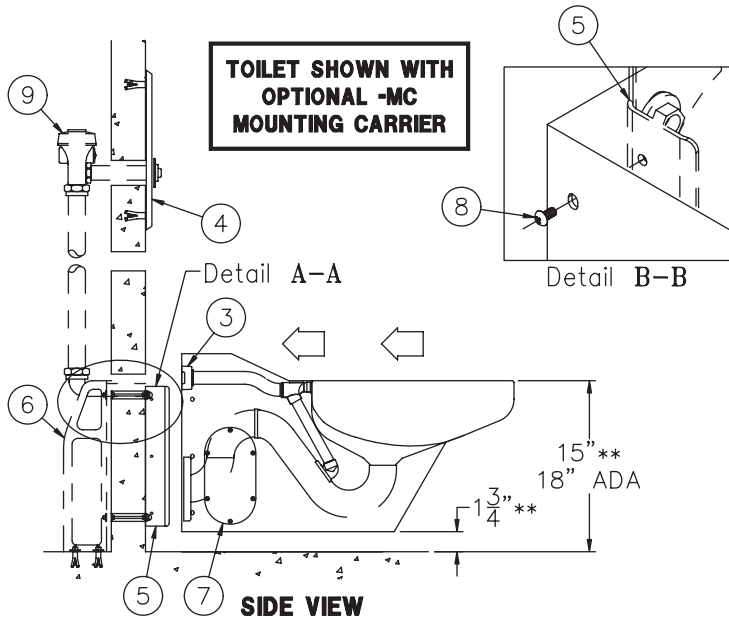
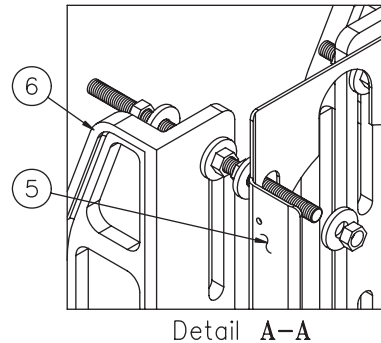
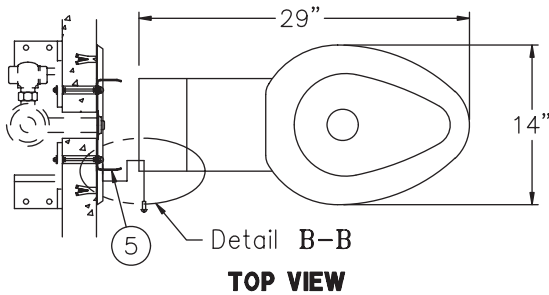


NOTE: USE ONLY APPROPRIATE UPC/cUPC CERTIFIED FLUSH VALVES FOR THIS FIXTURE.
 NOTE: IN-WALL CARRIER IS INTENDED FOR CONCRETE FLOOR INSTALLATION. FOR OTHER FLOOR TYPES CONTACT CARRIER MANUFACTURER.



INSTALLATION INSTRUCTIONS:

A—ROUGH-IN FOR THE FOLLOWING:

- 5-1/2" DIAMETER RECESSED GASKET FLANGE (1).
- FLUSH VALVE INLET 1" NPT (2).
- FIXTURE FLUSHING INLET 1-1/2" NPT (3).

B—OPTIONAL FLUSH VALVE ACCESS PANEL (4) FOR BACK SUPPLY FLUSH VALVES SHOWN FOR REFERENCE ONLY.

C—UNITS LESS CARRIER: ON FIXTURE SIDE OF REINFORCED WALL, INSTALL WALL ANCHORS BY OTHERS MATCHING MOUNTING LOCATIONS AS INDICATED. SECURE MOUNTING CHANNEL (5) TO WALL WITH INSTALLER PROVIDED HARDWARE.

D—UNITS WITH CARRIER LEGS: FOLLOW MANUFACTURER'S INSTALLATION REQUIREMENTS FOR YOUR CARRIER (6). SECURE MOUNTING CHANNEL (5) TO CARRIER WITH ANCHORING HARDWARE PROVIDED WITH YOUR CARRIER. SEE DETAIL A-A.

E—REMOVE ACCESS PANELS (7) AND SET ASIDE. WHILE HOLDING INSTALLER PROVIDED WASTE GASKET IN PLACE, ALIGN WASTE OUTLET CONNECTIONS & SECURE FIXTURE HOUSING TO MOUNTING CHANNEL LOOSELY WITH 1/4-20 SCREWS (8) PROVIDED.

F—TIGHTEN WASTE CONNECTIONS THRU ACCESS OPENINGS AND REPLACE ACCESS PANELS (7).

G—TIGHTEN 1/4-20 SCREWS (8) SECURING FIXTURE TO MOUNTING CHANNEL (5). SEE DETAIL B-B.

H—FOR OPTIONAL -FV FLUSH VALVE: CONNECT FLUSH (9) AS REQUIRED FOR CONCEALED INSTALLATIONS PER MANUFACTURER'S RECOMMENDATIONS.

NOTE: FOR -ADA UNITS REFER TO ADA ACCESSIBILITY GUIDELINES FOR COMPLETE INSTALLATION REQUIREMENTS.

- 1— ALL VERTICAL DIMENSIONS INDICATED** INCREASE PROPORTIONATELY WITH ADA SEAT HEIGHT: FOR ADA 18" SEAT HEIGHT, WASTE OUTLET BECOMES 8-1/2".
- 2— FLUSH VALVE MUST BE HYDRAULICALLY ACTUATED OR SUPPLIED WITH AN ADA HANDLE. MAX CONTROL HEIGHT IS 44" ABOVE FINISHED FLOOR.

NEO-METRO®
 P.O. BOX 3527 INDUSTRY, CA. 91744
 (800) 591-9050 * (626) 855-4854
 FAX (626) 937-4725 WWW.NEO-METRO.COM

TITLE WALL SUPPLY, SIPHON, OFF-FLOOR, WALL OUTLET TOILET - #8955-W-1		
MANUFACTURE DATE JUNE 1999 TO PRESENT	DATE ISSUED 07/20/99	DRAWING NUMBER 9935-030-001
	DATE REVISED 04/16/08	