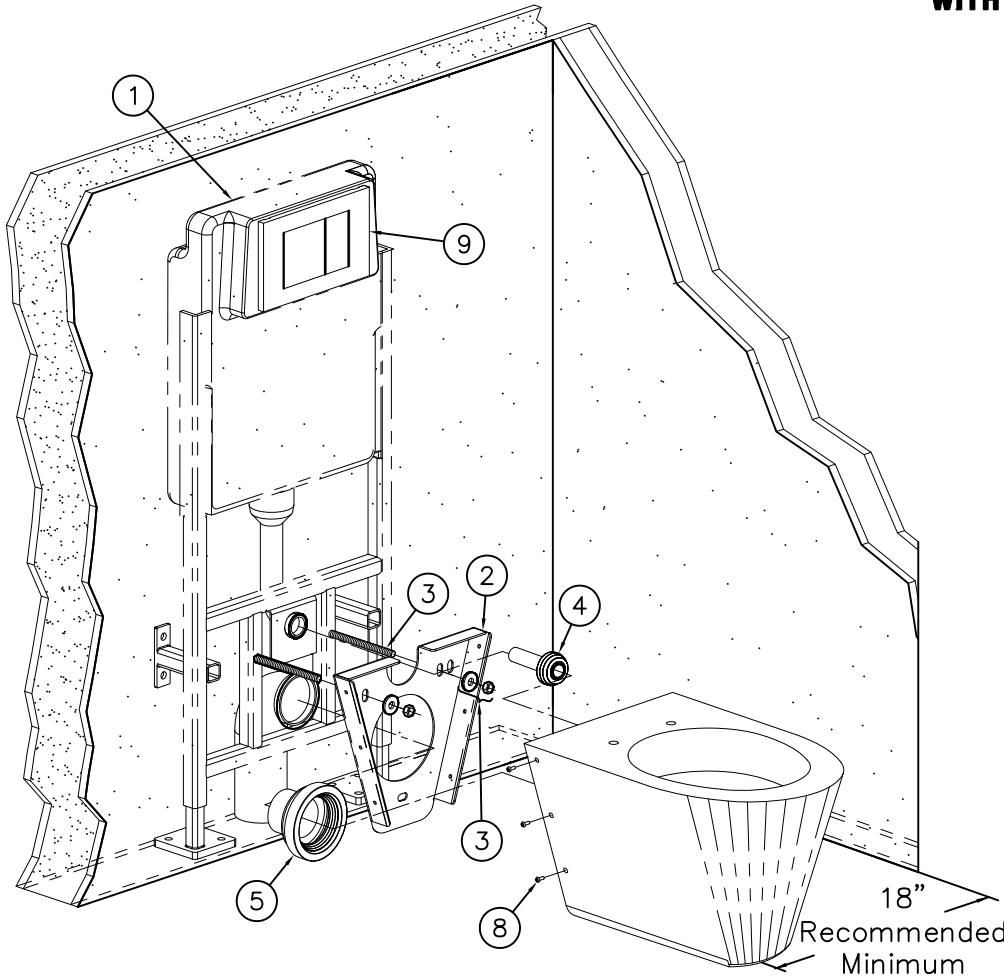


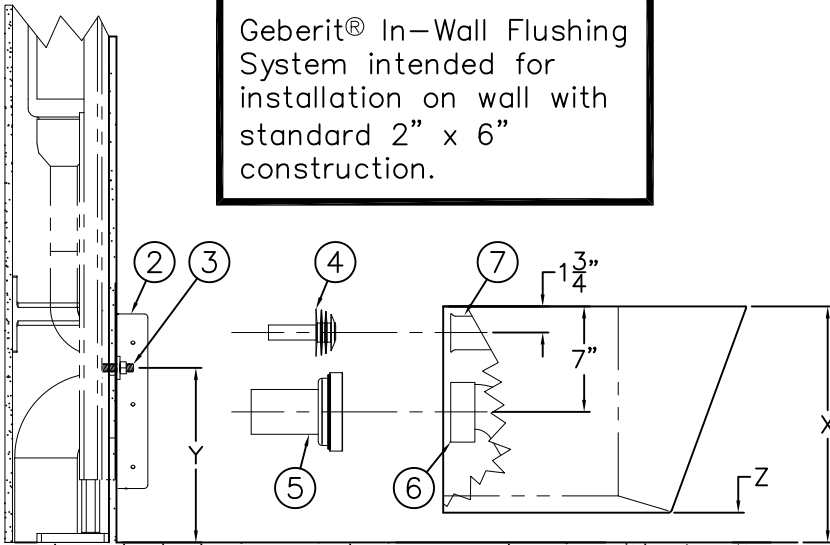
INSTALLATION INSTRUCTIONS FOR TOILET WITH GEBERIT IN-WALL FLUSHING SYSTEM

INSTALL THE GEBERIT IN-WALL TANK AND BOWL CARRIER SYSTEM PER GEBERIT INSTALLATION INSTRUCTIONS.



- A- CONTINUE WITH THE GEBERIT IN-WALL TANK AND BOWL CARRIER SYSTEM ① INSTALLATION SHEETS REGARDING BOWL INSTALLATION.
- B- ATTACH MOUNTING FLANGE ② TO WALL WITH ANCHORING STUDS, NUTS AND WASHERS PROVIDED ③ PRIOR TO INSTALLING GEBERIT SLIP-FIT FLUSHING INLET ④ AND WASTE OUTLET SLEEVE CONNECTION ⑤.
- C- LUBRICATE THE GEBERIT FLUSHING INLET SLIP-FIT ④ AND WASTE OUTLET SLEEVE CONNECTION ⑤ WITH INSTALLER PROVIDED RUBBER SEAL LUBRICANT.
- D- POSITION TOILET BOWL INTO PLACE ENSURING THAT BOTH THE FIXTURE WASTE OUTLET ⑥ AND FLUSHING INLET ⑦ ENGAGES WITH THE WASTE OUTLET SLEEVE ⑤ CONNECTION AND THE FLUSHING INLET SLIP-FIT CONNECTION ④.
- E- SECURE THE TOILET BOWL TO THE MOUNTING FLANGE ② WITH PHILLIPS HEAD SCREWS PROVIDED ⑧.
- F- INSTALL DUAL FLUSH ACTUATOR ⑨. REFER TO DRAWING #9935-023-001.
- G- FOR SEAT INSTALLATION, REFER TO DRAWING #9935-040-001.

Geberit® In-Wall Flushing System intended for installation on wall with standard 2" x 6" construction.



MODEL	DIM X	DIM Y	DIM Z
8952-W-1 Standard Height	15 3/4"	11 3/4"	2"
8952-W-1 18" RIM Height	18"	14"	4 1/4"

TITLE MINILOO COMPACT TOILET WALL OUTLET -CAT. #8952-W-1		
MANUFACTURE DATE	DATE ISSUED	DRAWING NUMBER
JUNE 06	11/08/06	9935-022-001
TO PRESENT	DATE REVISED	
	07/05/12	