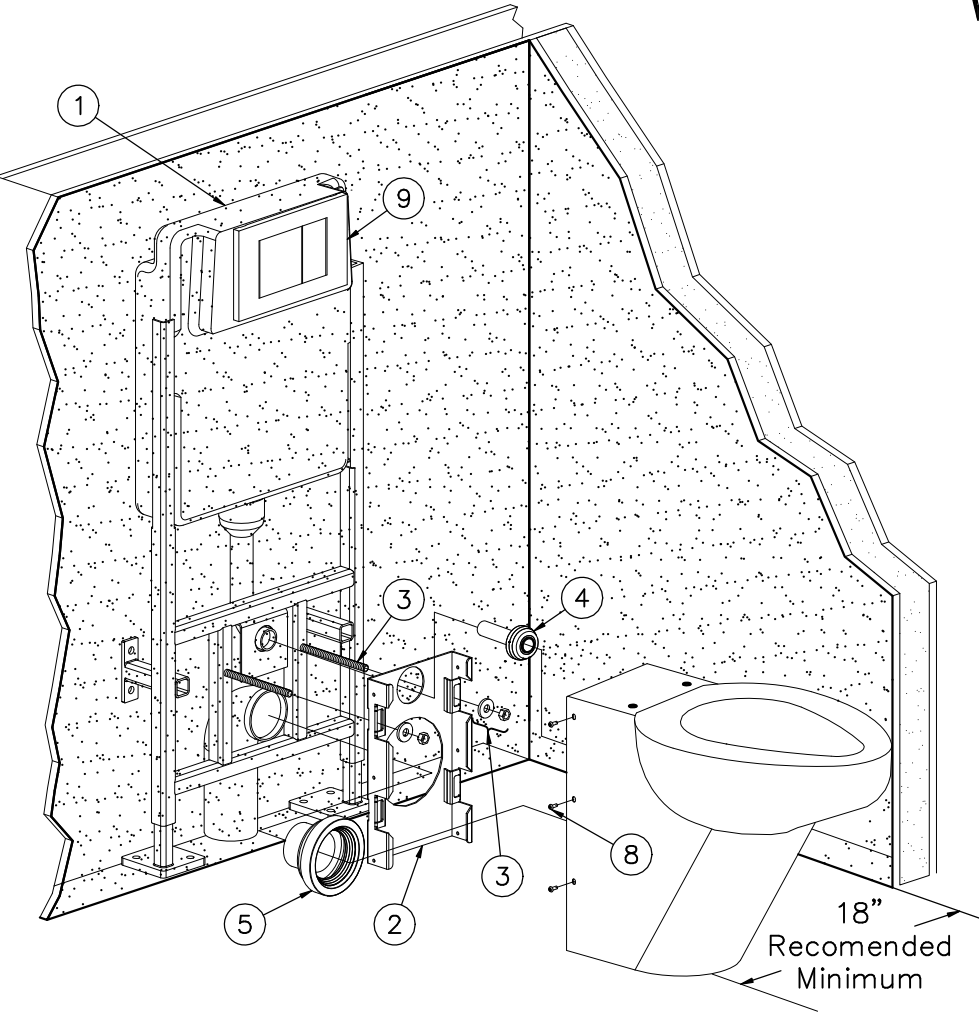


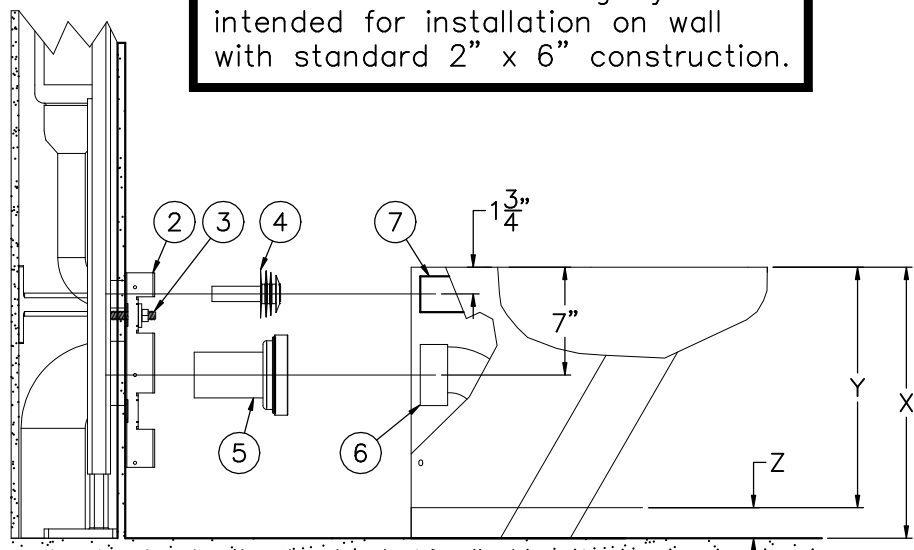
INSTALLATION INSTRUCTIONS FOR TOILET WITH GEBERIT IN-WALL FLUSHING SYSTEM

INSTALL THE GEBERIT IN-WALL TANK AND BOWL CARRIER SYSTEM PER GEBERIT INSTALLATION INSTRUCTIONS.

- A- CONTINUE WITH THE GEBERIT IN-WALL TANK AND BOWL CARRIER SYSTEM ① INSTALLATION SHEETS REGARDING BOWL INSTALLATION.
- B- ATTACH MOUNTING FLANGE ② TO WALL WITH ANCHORING STUDS, NUTS AND WASHERS PROVIDED ③ PRIOR TO INSTALLING GEBERIT SLIP-FIT FLUSHING INLET ④ AND WASTE OUTLET SLEEVE CONNECTION ⑤.
- C- LUBRICATE THE GEBERIT FLUSHING INLET SLIP-FIT ④ AND WASTE OUTLET SLEEVE CONNECTION ⑤ WITH INSTALLER PROVIDED RUBBER SEAL LUBRICANT.
- D- POSITION TOILET BOWL INTO PLACE ENSURING THAT BOTH THE FIXTURE WASTE OUTLET ⑥ AND FLUSHING INLET ⑦ ENGAGES WITH THE WASTE OUTLET SLEEVE ⑤ CONNECTION AND THE FLUSHING INLET SLIP-FIT CONNECTION ④.
- E- SECURE THE TOILET BOWL TO THE MOUNTING FLANGE ② WITH PHILLIPS HEAD SCREWS PROVIDED ⑧.
- F- INSTALL DUAL FLUSH ACTUATOR ⑨. REFER TO DRAWING #9935-023-001.
- G- FOR SEAT INSTALALTION, REFER TO DRAWING #9935-040-001.



Geberit® In-Wall Flushing System intended for installation on wall with standard 2" x 6" construction.



MODEL	DIM X	DIM Y	DIM Z
8951-W-1 Standard Height	15 ³ / ₄ "	13 ³ / ₄ "	2"
8951-W-1 ADA Height	18"	13 ³ / ₄ "	4 ¹ / ₄ "
8951-W-2	15 ³ / ₄ "	15 ³ / ₄ "	0"
8951-ADA-W-2	17 ³ / ₄ "	17 ³ / ₄ "	0"

NEO-METRO®
 P.O. BOX 3527 INDUSTRY, CA. 91744
 (800) 591-9050 * (626) 855-4854
 FAX (626) 937-4725 WWW.NEO-METRO.COM

TITLE **CONTOUR TOILET, WALL WASTE, #8951-1 OFF-FLOOR / #8951-2 ON-FLOOR**

MANUFACTURE DATE
OCTOBER 1999
TO PRESENT

DATE ISSUED
10/06/99

DATE REVISED
03/06/08

DRAWING NUMBER
9935-020-001