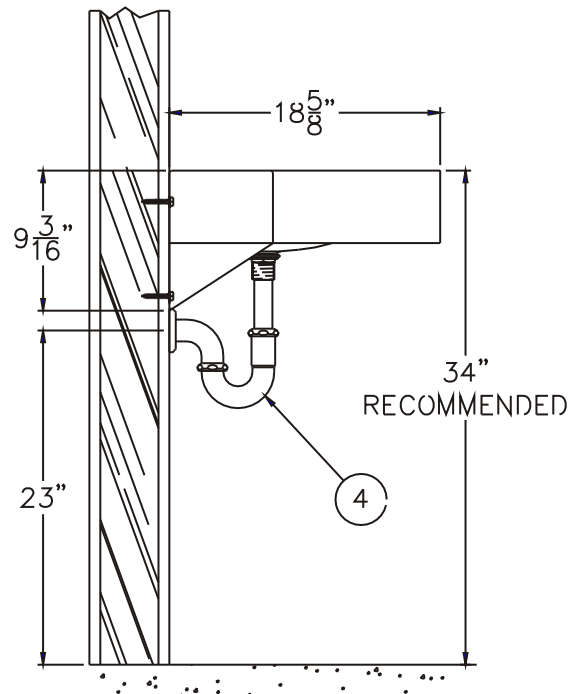


INSTALLATION INSTRUCTIONS:

- A-Using NEO-BASIN ① as a template, hold fixture against wall with countertop at 34" (recommended) above finished floor. Mark the four mounting points.
- B-Make the appropriate anchoring preparations based on the type of wall NEO-BASIN is being mounted to for the four 5/16"-18 x 1-1/4" long hex head cap screws provided.
- C-Install desired faucet (by others) according to manufacturers instructions.
- D-Mount NEO-BASIN ① to wall with screws provided. Wall anchors by others.
- E-Install back cover plate ② with 1/4"-20 screws ③ provided unless -EB Enclosed Bottom specified. See drawing # 9935-009-001.
- F-Make up waste connection ④ 1-1/2" O.D.
- G-After thoroughly flushing supply lines make up supply connections.
- H-Turn on water supply and check for any leaks.



NEO-METRO P.O. BOX 3527 • CITY OF INDUSTRY, CA 91744 USA 800-591-9050 • 626-855-4854 • www.neo-metro.com	TITLE NEO-BASIN CAT. # 8935 / 8936	
	MANUFACTURE DATE SEPTEMBER 1999 TO PRESENT	DATE ISSUED 10/26/99 DATE REVISED 04/23/02