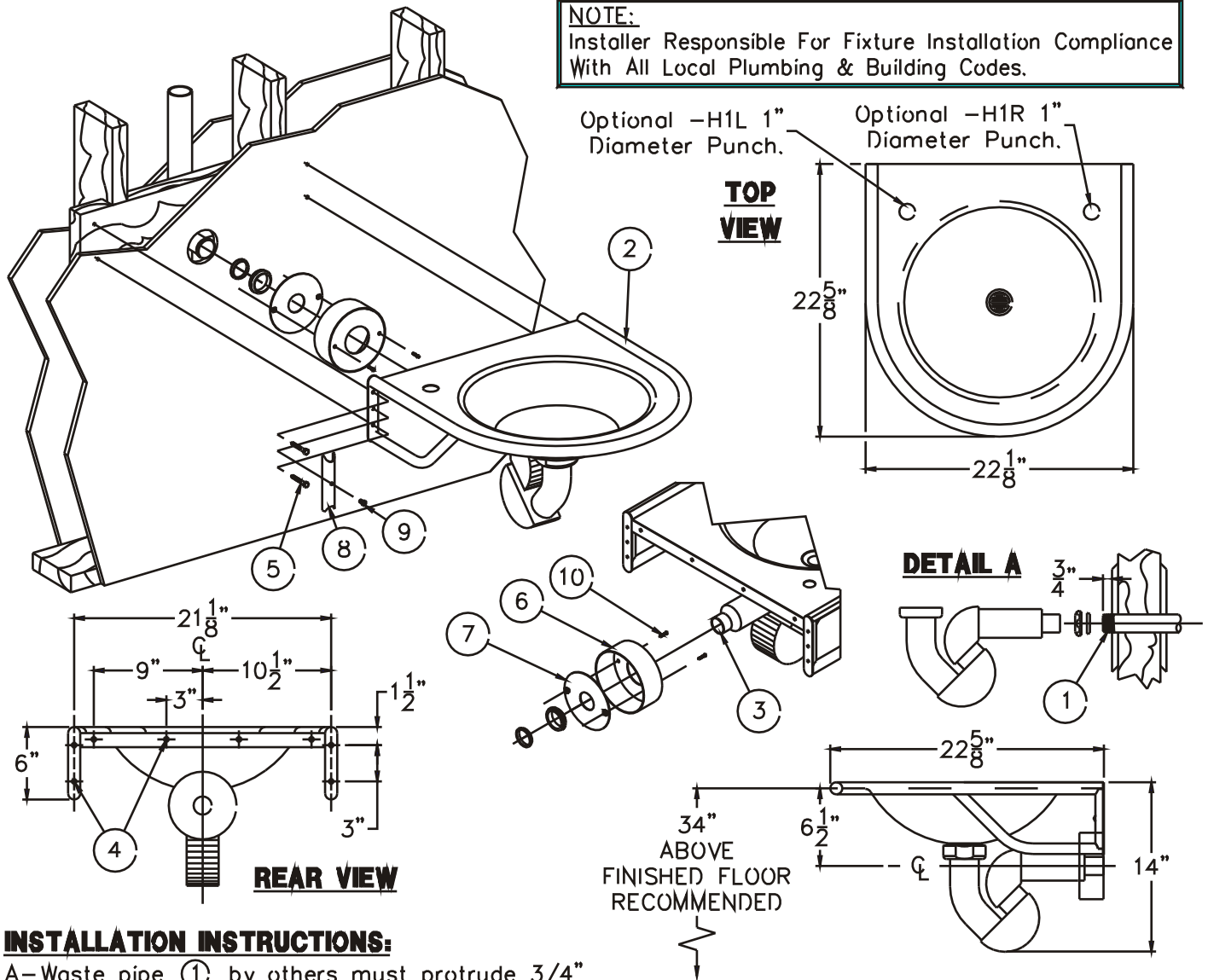


INSTALLATION INSTRUCTIONS

NOTE:
Installer Responsible For Fixture Installation Compliance
With All Local Plumbing & Building Codes.



INSTALLATION INSTRUCTIONS:

- A—Waste pipe ① by others must protrude 3/4" from the finished wall. See Detail A. For 34" recommended counter rim height, the waste rough-in must be at 27-1/2" above finished floor. P-trap is NOT adjustable.
- B—Use the METAAL BASIN ② as a template. Hold fixture against wall with 1-1/2" o.d. plain end waste outlet ③ inside waste piping ①. Mark all mounting points ④.
- C—Make appropriate wall anchoring preparations based on wall type fixture is being mounted to. Wall anchoring hardware ⑤ by others.
- D—Install desired faucet (by others) according to manufacturer's instructions.
- E—Make sure waste escutcheon ⑥ and anchor plate ring ⑦ are on p-trap waste assembly. Anchor fixture ② to wall with fasteners ⑤ by others. Install anchoring cover escutcheons ⑧ using fasteners ⑨ provided.
- F—Make-up waste connection to the 1-1/2" o.d. plain end ③. Tighten screws ⑩ to draw the escutcheon ⑥ against the finished wall.
- G—Flush supply lines thoroughly. Make-up the supply connections.
- H—Turn on water supply and test for leaks.

NEO-METRO P.O. BOX 3527 • CITY OF INDUSTRY, CA 91744 USA 800-591-9050 • 626-855-4854 • www.neo-metro.com	TITLE METAAL BASIN MODEL #8937	
	MANUFACTURE DATE NOVEMBER 2001 TO PRESENT	DATE ISSUED 07/02/02 DATE REVISED 06/10/03