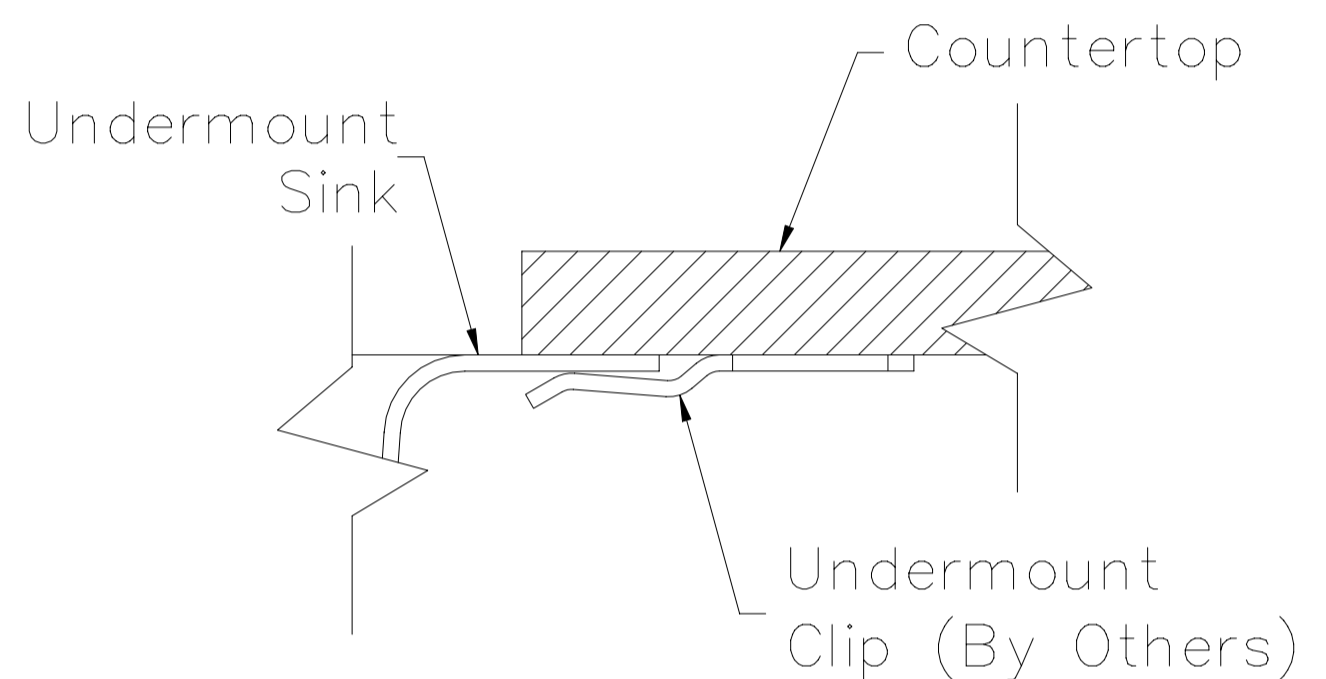


FOR DROP-IN INSTALLATION:

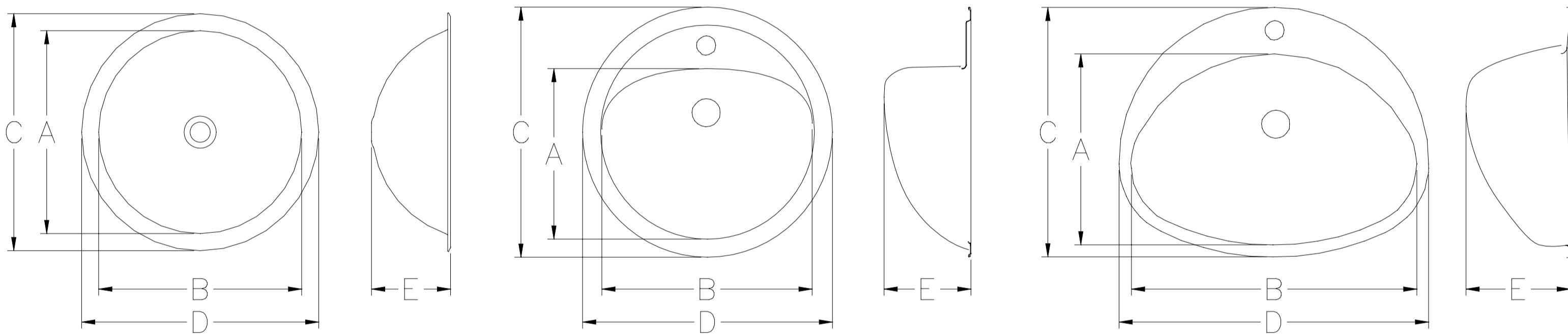
- A-** USING BASIN AS A TEMPLATE PLACE BASIN UPSIDE DOWN ON THE COUNTERTOP AND TRACE AROUND THE EDGE OF THE RIM. OFFSET TRACED LINE INWARD 3/4".
- B-** CUT COUNTERTOP USING THE OFFSET LINE AS GUIDE. EXTRA CUTTING MAY BE NECESSARY FOR OPTIONAL FEATURES.
- C-** BEFORE ASSEMBLING BASIN TO COUNTER ENSURE BASIN SITS ON COUNTERTOP PROPERLY. REMOVE ANY EXCESS COUNTER MATERIAL AS NEEDED SO BASIN SITS PROPERLY ONTO COUNTERTOP.
- D-** TURN BASIN UPSIDE DOWN AND RUN A BEAD OF SILICONE ADHESIVE ALONG THE INSIDE OF RIM EDGE.
- E-** PLACING BASIN INTO DESIRED POSITION APPLY STEADY AND FIRM PRESSURE AROUND THE WHOLE EDGE OF THE BASIN.

FOR UNDERMOUNT INSTALLATION:

- A-** USE CUTOUT TEMPLATE SUPPLIED TO TRACE AREA TO BE CUT.
- B-** EXTRA CUTTING MAY BE NECESSARY FOR OPTIONAL FEATURES.
- C-** CUT AND REMOVE MATERIAL TO ALLOW FOR INSTALLATION OF BASIN.
- D-** SECURE BASIN TO BOTTOM OF COUNTERTOP USING SEALER, MOUNTING CLIPS AND ANCHORING HARDWARE BY OTHERS.



ANCHORING CLIP DETAIL



MODEL	STYLE	A DIM.	B DIM.	C DIM.	D DIM.	E DIM.
3680	ROUND	11-1/2"	11-1/2"	13-1/2"	13-1/2"	6"
3682	ROUND	15-3/4"	15-3/4"	18"	18"	6"
3690	D-SHAPED	12-1/2"	16"	18"	18"	6-1/4"
3691	ROUND	10-7/8"	10-7/8"	12-1/2"	12-1/2"	6"
3692	ROUND	12-3/8"	12-3/8"	15"	15"	6"
3693	ROUND	15"	15"	18"	18"	6-1/4"
3694	OVAL	12-3/4"	18-7/8"	16-1/2"	20-1/2"	6-1/4"

NOTE: FOR OPTIONAL -OF OVERFLOW INSTALLATION SEE DRAWING # 9935-007-001.