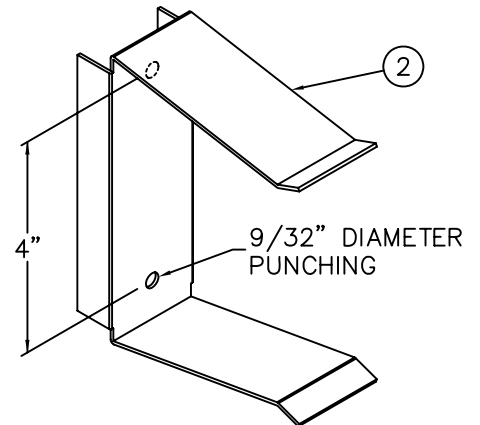


FOR BEST RESULTS INSTALL SOAP RESERVOIR FILL HOLE DIRECTLY BELOW SOAP FILLER ON DECK WITH REFILL TUBE AS SHORT AND STRAIGHT AS POSSIBLE TO FACILITATE REFILL OF SOAP WITHOUT BACKUP OR OVERFLOW.

- A- INSTALL SOAP RESERVOIR (1) TO WALL INSIDE THE TRAP ENCLOSURE USING THE MOUNTING BRACKETS (2) PROVIDED. WALL ANCHORS AND FASTENERS ARE BY OTHERS.
- B- INSTALL SOAP FILLER ASSEMBLY (3) TO DECK.
- C- ATTACH THE 1-1/4" O.D. REFILL TUBE (4) TO SOAP FILLER ASSEMBLY (3) & SOAP RESERVOIR (1) WITH THE HOSE CLAMPS PROVIDED.


MOUNTING BRACKET DETAIL



REFERENCE DRAWING

REFERENCE DRAWING	
ASSEMBLY	NUMBER
SOAP DISPENSER	9965-075-002

- D- INSTALL SOAP DISPENSER(S) (5) ONTO DECK BY ALIGNING ANTI-ROTATION PIN WITH KEY HOLE. NOTE THAT GASKET AND WASHER ARE LOCATED BENEATH THE DECK.
- E- ATTACH THE 3/8" O.D. TUBING (6) TO THE DISPENSER(S) (5) & RESERVOIR (1). NOTE: CHECK VALVE(S) (7) MUST BE FIELD SPLICED INTO TUBING (6) & INSTALLED WITH RESPECT TO DIRECTION OF FLOW.
- F- TO FILL SOAP RESERVOIR, REMOVE THE FILLER PLUG FROM THE SOAP FILLER ADAPTER. SLOWLY POUR SOAP DOWN OPENING AND REPLACE PLUG.

 NEO-METRO® P.O. BOX 3527 INDUSTRY, CA. 91744 (800) 591-9050 * (626) 855-4854 FAX (626) 937-4725 WWW.NEO-METRO.COM	TITLE -PDM SOAP DISPENSER INSTALLATION DETAIL		
	MANUFACTURE DATE JUNE 2001 TO PRESENT	DATE ISSUED 08/24/01	DRAWING NUMBER 9927-210-N03
		DATE REVISED 06/22/04	