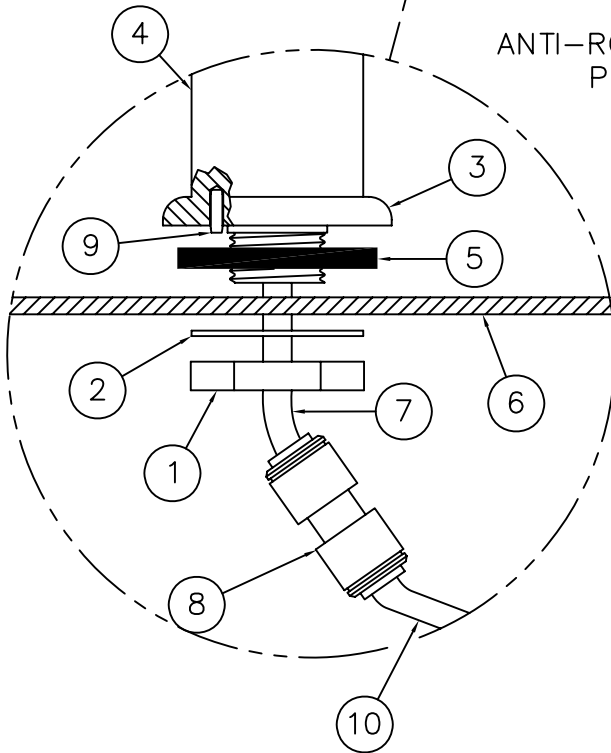
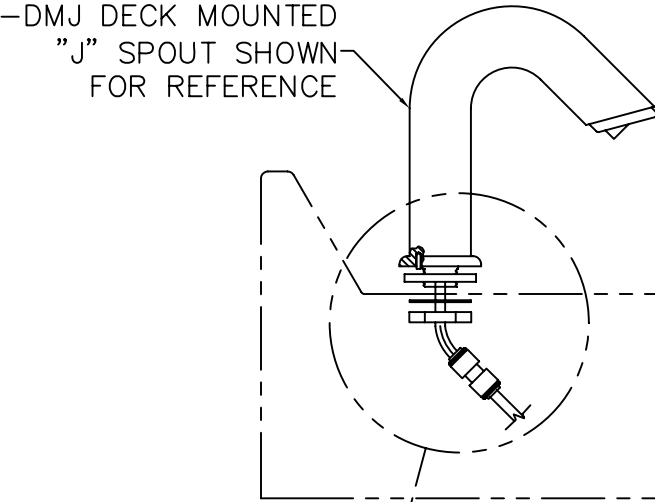


REFERENCE DRAWING	
DECK MTD 'L' SPOUT	9957-730-001
DECK MTD 'J' SPOUT	9957-731-001
BACKSPLASH MTD SPOUT	9957-732-001
9VDC SENSOR	9955-019-001

-DMJ DECK MOUNTED
 "J" SPOUT SHOWN
 FOR REFERENCE



ANTI-ROTATION
 PIN SLOT

ANTI-ROTATION
 PIN SLOT

PUNCH DETAIL
 STAINLESS STEEL

PUNCH DETAIL CORTERRA
 SOLID SURFACE

INSTALLATION INSTRUCTIONS:

NOTE: INSTALL SPOUTS PRIOR TO SECURING
 FIXTURE TO WALL.

- A-REMOVE BRASS NUT (1) AND WASHER (2) FROM THE
 BASE (3) OF SPOUT (4). DO NOT REMOVE RUBBER
 GASKET (5).
- B-FROM ABOVE DECK (6): MAKE SURE RUBBER GASKET
 (5) IS PROPERLY SEATED WITHIN THE BASE (3) OF
 SPOUT (4). FEED TUBE (7) AND UNION FITTING (8)
 THRU PUNCHED OPENING. POSITION SPOUT (3) ON
 DECK (6) WITH ANTI-ROTATION PIN (9) THRU DECK
 PUNCHING ANTI-ROTATION SLOT.
- C-FROM BELOW DECK (6): REASSEMBLE BRASS NUT (1)
 AND WASHER (2) TO THE BASE (3) OF SPOUT (4).
 MAKE SURE THAT PIN (9) IS IN THE PUNCHING SLOT
 AND THAT GASKET (5) SEALS PROPERLY BEFORE
 TIGHTENING.
- D-CONNECT POLYETHYLENE 1/4" O.D. WATER LINE (10) TO
 UNION FITTING (8) WATERTIGHT WITH THE FERRULE
 NUT PROVIDED. REFER TO THE GENERAL INSTALLATION
 INSTRUCTIONS FOR ADDITIONAL DETAILS.