



Meridian-Edge® 3801 Series

Meridian-Edge® Corterra® Single Basin - ADA/OBC Compliant



**U.S. PATENT PENDING

3801-SO

Fixture May Show Some Available Options

Please visit www.acorneng.com for most current specifications.

Meridian-Edge® Corterra® Single Basin - ADA/OBC Compliant

Meridian® Corterra® Single Basin is intended to be mounted to a finished wall. Washbasin is constructed of Corterra® solid surface polymer resin and combine the look of granite and the feel of commercial-grade designer Basins. Adequate wall backing is required to support this wall mount, off-floor Washbasin fixture. When mounted 33" at finished floor, fixture will comply with OBC requirements. When mounted 34" at finished floor, fixture will comply with ANSI, UFAS and ADA requirements. Alternatively, the unit may be mounted at the height to comply with ADA requirements for children. Compliance is subject to the interpretation and requirements of the local code authority.

Hinged P-Trap Enclosure is included to allow easy maintenance and to conceal hot & cold Mixing Valve, Supply and Waste connections. Enclosure is fabricated of 18 gage, type 304 stainless steel with a satin finish engineered to provide a profile that complies with both ADA & OBC.

Mounting Bracket is included and fabricated of 11 gage galvanized steel with rear Anchoring Slots. Adequate wall backing is required.

Counter with Integral Basin is constructed of Corterra® solid surface polymer resin.

Optional Sensor Operation is available, which includes Infrared Spout, 0.5 GPM Flow Control, and a plug-in Transformer; for optional battery powered Sensor, a Battery Box is provided.

Optional Dyson Airblade™ Wash + Dry Faucet is available, which includes Infrared Spout and Air Dryer, 0.5 GPM Flow Control, under counter Motor Bucket, lead-free stainless steel with a brushed finish.

Optional Valves are available; ASSE 1070 compliant Valve delivers constant water flow by compensating for temperature and pressure fluctuations. Valve is factory set to 105° Fahrenheit and includes Integral Checks and Strainer to prevent cross-flow and contamination. Maximum Operating Pressure 125 PSI. A Single Temperature Air-Control Metering Valve assembly and is offered as an alternative to the standard hot and cold Mixing Valve when a single water supply is desired.

Unit Certification complies with IAPMO IGC 156, CSA B45 Series, ASME A112.18.1/CSA B125.1

Material Certification of material construction is Flame Spread and Smoke Developed rated "Class A" per the following standards: ASTM E84-10, UL723, ANSI/NFPA No. 255 and UBC No. 8-1. Material also complies with Canadian requirements: CAN/ULC-S102 for Flame Spread and Smoke Developed. Material of constructions physical properties in compliance with CSA B45.5/IAPMO Z124 and ANSI/ICPA SS-1.

GUIDE SPECIFICATION

Meridian-Edge® Corterra® Washbasin by Acorn (Specify options). Unit will conform with ANSI, UFAS, OBC and ADA Accessibility Standards when properly installed. Counter and integral Basin to be constructed of Corterra® solid surface polymer resin. Hinged P-Trap Enclosure is to be constructed of heavy gage, type 304 stainless steel with satin finish.

Meridian® 3801: Meridian-Edge® Corterra® Single Basin - ADA/OBC Compliant



BASE MODEL NUMBER (Must Specify)

3801 Meridian-Edge® Corterra® Single Basin

FIXTURE MOUNTING & WASTE (Must Specify)

-1 Off-Floor, Wall Outlet

OPERATION (Must Specify)

- 9 Less Spout and Valve
(Must Specify Punching if Required)
 - H1 Single Hole, On Center
 - H34 4" Centerset, Three Holes
- H Hand Operation with Deck Mounted Spout & Pushbutton
- SO Sensor Operation with Deck Mounted Spout
- SO-BAT Sensor Operation, Battery Powered with Deck Mounted Spout (Batteries Not Included)
- WD04 Dyson Airblade™ Wash + Dry (Deck Mounted Short Faucet)

VALVE (Must Specify)

- MXTP ASSE 1070 Tempering Valve
- ST Single Temperature Valve

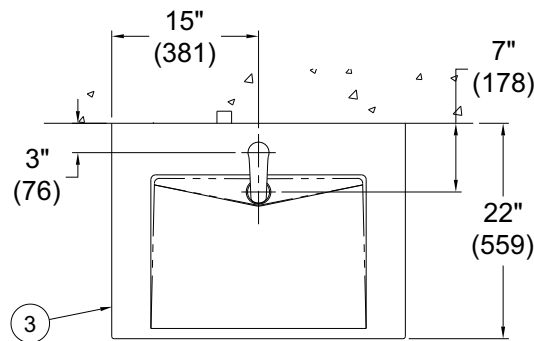
CORTERRA® COLOR OPTIONS (Must Specify)

Color: _____
(Refer to <https://www.acorneng.com/corterra-solid-surface> for available colors)

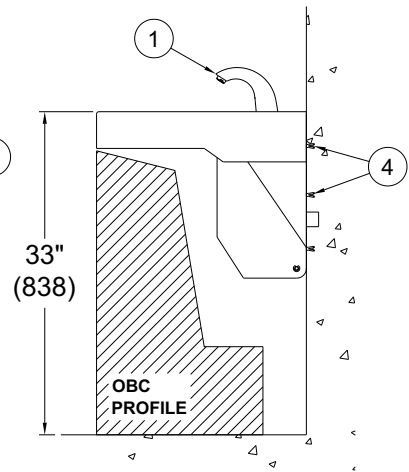
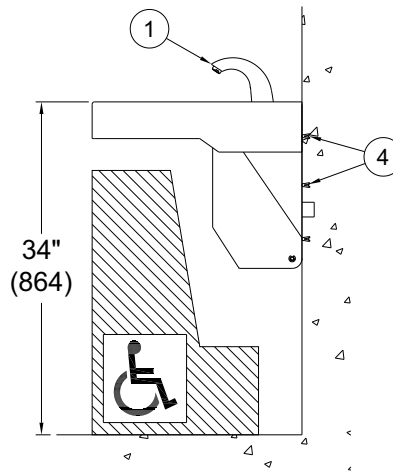
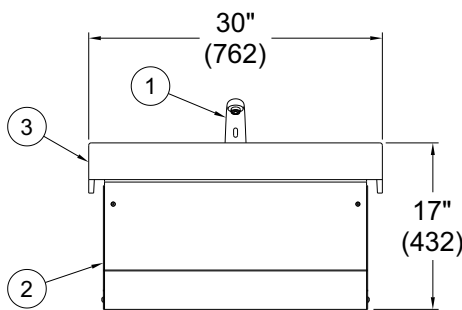
PRODUCT OPTIONS

- EG Enviro-Glaze® (Enclosure), Color: _____
(Refer to www.acorneng.com for available colors)
(Keyword Search: Enviro-Glaze®)
- MC Mounting Carriers
- PDM Metering Liquid Soap Dispenser
- PT P-Trap Waste (Must Specify Type)
 - Plastic P-Trap
 - Brass P-Trap
- SOS Sensor Operated Liquid Soap Dispenser
- SOS-BAT Sensor Operated, Battery Powered Liquid Soap Dispenser (Batteries Not Included)

Please visit www.acorneng.com for most current specifications.



- ① DECK MOUNTED SENSOR OPERATED SPOUT
- ② P-TRAP & PIPING ENCLOSURE
- ③ CORTERRA® SOLID SURFACE COUNTER WITH INTEGRAL BASIN
- ④ MOUNTING HARDWARE BY OTHERS



WARNING: Cancer and Reproductive Harm - www.P65Warnings.ca.gov

Important: Installation instructions and current rough-in are furnished with each fixture. Do not rough in without certified dimensions. <small>Dimensions are subject to manufacturer's tolerance of plus or minus 1/4" and change without notice. Acorn assumes no responsibility for use of void or superseded data. © Copyright 2009 Acorn Engineering Company</small>	
<p style="text-align: center;">Selection Summary</p> <p>Model No. & Option _____</p> <p>Quantity _____</p>	<p style="text-align: center;">Approved for Manufacturing</p> <p>Company _____ Title _____</p> <p>Signature _____ Date _____</p>