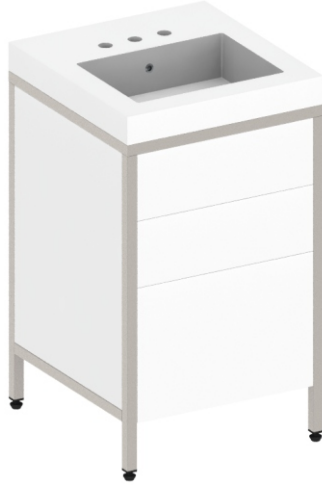


**20" SLAB Console**



**Model Shown: 9109-S-H38-D4S-D4D-D11D**  
 20" Long SLAB Console, Satin Finish Frame, Blanco Solid Surface Drawers, Configured for a 3-Hole 8" Centerset Faucet Supplied by Customer

- **20" LONG CAST WHITE SOLID SURFACE DECK WITH INTEGRAL BASIN IN STAINLESS STEEL CONSOLE FRAME**
- **BASIN IS INTEGRAL TO WHITE SOLID SURFACE DECK - ENTIRELY CAST IN ONE PIECE OF WHITE-COLORED POLYMER RESIN**
- **STAINLESS STEEL FRAME CONSTRUCTION IN SATIN MIRA (HIGH POLISH)**
- **INTEGRATED OVERFLOW WASTE OUTLET**
- **ADJUSTABLE LEVELERS FOR UNEVEN FLOORS**
- **MATERIAL OF CONSTRUCTION IS FLAME SPREAD AND SMOKE DEVELOPED RATED "CLASS A" PER THE FOLLOWING STANDARDS:**

**ASTM E84-10  
 UL723  
 ANSI/NFPA No. 255  
 UBC No. 8-1**

**MATERIAL ALSO COMPLIES WITH CANADIAN REQUIREMENTS CANULC-S102 FOR FLAME SPREAD AND SMOKE DEVELOPED.**

- **MATERIAL OF CONSTRUCTIONS PHYSICAL PROPRIETIES IN COMPLIANCE WITH:**

**CSA B45.5/1APMO Z124  
 ANSIIICPA SS-1**



Member of  
 U.S. Green  
 Building  
 Council



Recyclable  
 Product

DESCRIPTION	MODEL/OPTION #
<b>A ORIENTATION</b> - Required Selection INIT. <input type="checkbox"/>	
<input type="checkbox"/> <b>Console</b> 20" L x 22" W x 34" H (508 x 559 x 864 mm) with 14" L x 17" W x 4" H (356 x 432 x 102 mm) Basin	9109

<b>Add (+)</b>	<b>B FRAME</b> - Required Selection INIT. <input type="checkbox"/>
	<input type="checkbox"/> <b>Satin Finish</b> (Standard) -S
	<input type="checkbox"/> <b>Mira Finish</b> (High Polish) -HP

<b>Add (+)</b>	<b>C COUNTER COLOR SELECTION</b> - Req'd Selection INIT. <input type="checkbox"/>
	<b>Corterra® Solid Surface Color</b>
	Color: _____
	(Refer to <a href="https://www.neo-metro.com/luxury-solid-surface">https://www.neo-metro.com/luxury-solid-surface</a> for available colors)

<b>Add (+)</b>	<b>D BASIN SELECTION</b> - Required Selection INIT. <input type="checkbox"/>
	<input type="checkbox"/> <b>Square Basin</b> -BBSQ 14" L x 14" W x 4" H Basin (356 x 356 x 102 mm)
	<input type="checkbox"/> <b>Round Basin</b> -BBRD Ø16" Basin (Ø 406 mm)
	Overflow Waste is Built-in Specify Plate Finish: <input type="checkbox"/> Satin (Standard) <input type="checkbox"/> High Polish

<b>Add (+)</b>	<b>E OPTIONS</b> INIT. <input type="checkbox"/>
	<b>Optional Storage Shelf</b>
	<input type="checkbox"/> Blanco Solid Surface -SWB
	<b>Optional Stainless Steel Towel Bar</b>
	<input type="checkbox"/> Satin Finish -TBS
	<input type="checkbox"/> Mira (high polish) -TBS-HP

<b>Add (+)</b>	<b>F FAUCET CONFIG.</b> - Optional Selection INIT. <input type="checkbox"/>
	<input type="checkbox"/> <b>No Faucet Hole</b> -H0 For wall mounted faucet
	<input type="checkbox"/> <b>Single Hole</b> -H1 ø1-5/16" Centered Hole
	<input type="checkbox"/> <b>6" Centerset</b> -H36 (152 mm)
	<input type="checkbox"/> <b>8" Centerset</b> -H38 (203 mm)

Customer is required to submit Faucet Spec Sheet to confirm compatibility with Neo-Metro's faucet drilling.

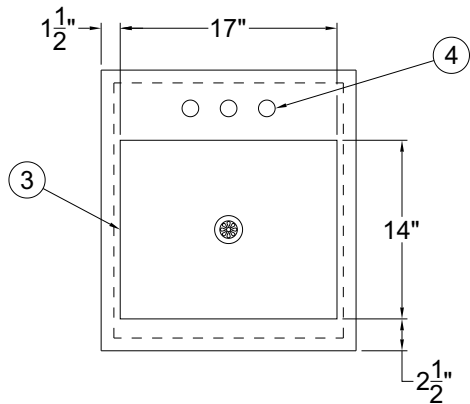
<b>Add (+)</b>	<b>G DRAWER CONFIG.</b> - Optional Selection INIT. <input type="checkbox"/>
	<input type="checkbox"/> <b>4" Short Depth Drawer</b> -D4S
	<input type="checkbox"/> <b>4" Std. Depth Drawer</b> -D4D
	<input type="checkbox"/> <b>11-1/2" Std. Depth Drawer</b> -D11D

# 20" SLAB Console

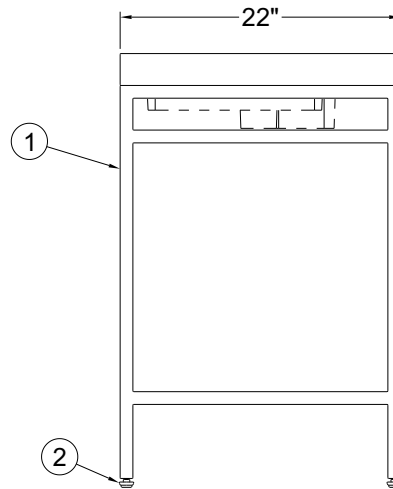
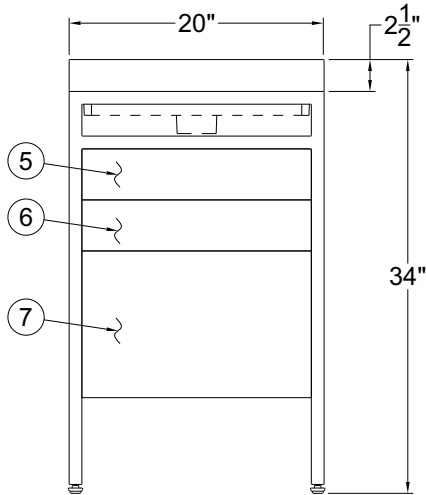
**PRODUCT Specification . . .** The 20" Slab Console /Table includes a 2-1/2" (64mm) thick solid surface Deck with an integral 14" x 17" x 4" depth (356 x 432 x 102mm) solid surface Basin. Solid Surface Basin comes with 1-1/4" Drain hole is provided to accommodate any Drain assembly with Overflow (Drain and P-Trap not included). The Frame is constructed out of Satin Finish (standard) stainless steel

rectangular Tubing. The stainless steel Frame is also available in Mira Finish The Solid Surface Countertop is available in a variety of standard colors. An optional Storage Shelf and Drawers are available. Adjustable Levelers are provided on each Leg for uneven floors. Installation instructions are provided.

Neo-Metro assumes no responsibility for use of void or suspended data. All dimensions are nominal and subject to manufacturer change without notice.



- ① STAINLESS STEEL SQUARE TUBING FOR LEGS AND FRAME
- ② ADJUSTABLE LEVELERS (ALL 4 LEGS)
- ③ 17" X 14" INTEGRAL BASIN
- ④ OPTIONAL -H36 THREE HOLES WITH 6" CENTERS FOR VALVE BY OTHERS
- ⑤ OPTIONAL -D4S 4" SHORT DEPTH
- ⑥ OPTIONAL -D4D 4" STANDARD DEPTH
- ⑦ OPTIONAL -D11D 11-1/2" STANDARD DEPTH



**APPROVAL FOR MANUFACTURE**

COMPANY: \_\_\_\_\_

PROJECT NAME: \_\_\_\_\_

SIGNEE'S NAME WRITTEN CLEARLY: \_\_\_\_\_

DATE: \_\_\_\_\_

AUTHORIZED SIGNATURE: \_\_\_\_\_

**⚠ WARNING:** Cancer and Reproductive Harm - [www.P65Warnings.ca.gov](http://www.P65Warnings.ca.gov)