

Metaal Toilet Wall Supply



8956-W-3

Wall Supply,
Floor Mounted, Floor Waste
COMMERCIAL Metaal Toilet

U.S.Design Patent 470578

Toilets are configured with a 1-1/2" NPT back spud inlet for a wall supply flush valve (flush valve sold separately).

- **Toilet with Patented Exposed Decorative P-Trap**
- **Commercial SIPHON JET Toilet Requiring Commercial Water Supply Line to Operate. Water Flow Pressure 35 psi (2.41 bars); Water Supply Line 1"(25 mm).**
- **WALL SUPPLY (Exposed) Flush Valve Configuration**
Compatible Flush Valve (Sold Separately) Releases 1.6 Gallons (6 Liters) per Flush. Top Supply Flush Valve configurations are also available.
- **STAINLESS STEEL CONSTRUCTION**
16 Gage Satin Finish Stainless Steel with Mira (High Polish) Accents on P-Trap
- **ELONGATED TOILET BOWL**
Punched for Toilet Seat with 5-1/2" (140 mm) Mounting Centers (Seat is provided by others).
- **ADA Compliant Toilet Available**
- **ANSI A112.19.2 Compliant**

Stainless Steel Toilets are Recyclable

DESCRIPTION	MODEL/OPTION #
CONFIGURATION - Required Selection	
INIT.	

WALL SUPPLY COMMERCIAL METAAL TOILET
On-Floor, Floor Waste Configuration

Standard Height Toilet (15"/381 mm) 8956-W-3

ADA COMPLIANCY
 ADA Height Toilet (17"/430 mm) 8956-ADA-W-3

ADA compliance is subject to the interpretation and requirements of the local code authority. Please check you local ADA regulations.

FLUSH VALVE SELECTION	INIT.
Wall Supply (Concealed) Flush Valves	

Requires commercial water supply to operate; Water flow pressure 35 psi (2.41 bars); Water supply line is 1" (25 mm) diameter; Flush valve releases 1.6 gallons (6 liters) per flush; flush valve sold separately from fixture.

Manual Flush FV1.28-W
 FV1.6-W

Hydraulic ADA Compliant FV1.28-W-H
 FV1.6-W-H

Electronic Sensor FV1.6-W-SO
 FV1.6-W-SO
Valve requires 120 VAC, 60Hz Plug-in Power Supply



CONSTRUCTION AND PLUMBING INFORMATION

Must Specify: Wall Thickness _____

Must Specify: Wall Type _____
(Eg. drywall with tile, concrete, etc)

APPROVAL FOR MANUFACTURE

COMPANY: _____

PROJECT NAME: _____

SIGNEE'S NAME WRITTEN CLEARLY: _____

DATE _____

AUTHORIZED SIGNATURE: _____



Metaal Toilet Wall Supply

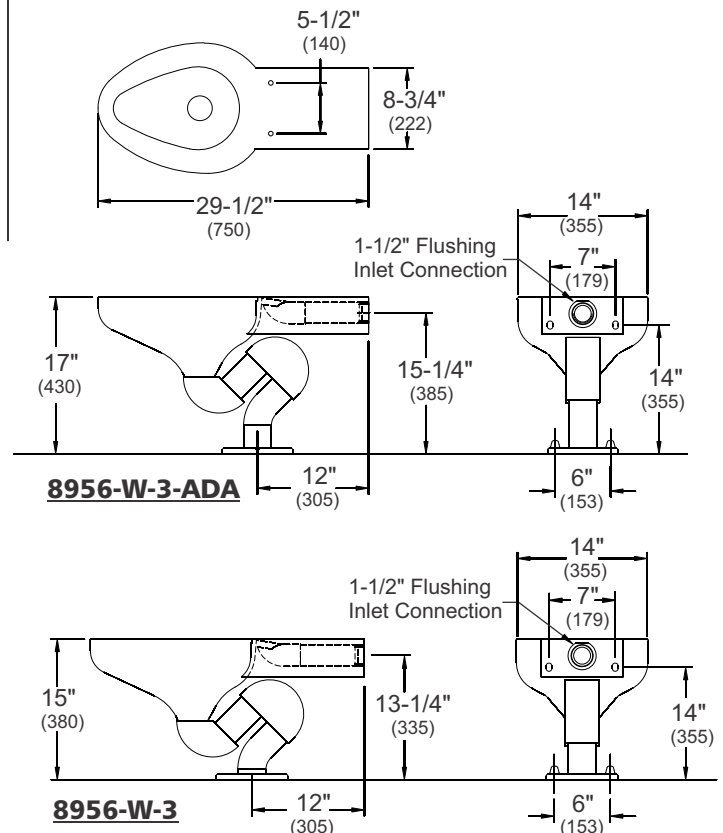


DESCRIPTION	MODEL/OPTION #
ACCESSORIES	
14" x 14" Flush Valve Access Panel	
<input type="checkbox"/> Satin with Push Button Hole	4080-000-001
<input type="checkbox"/> Mira (High Polish) with Push Button Hole	4080-030-001
<input type="checkbox"/> Satin No Hole	4080-035-001
<input type="checkbox"/> Mira (High Polish) No Hole	4080-036-001
10" x 10" Flush Valve Access Door	
<input type="checkbox"/> Satin	0530-135-001
<input type="checkbox"/> Mira (High Polish)	0530-118-001
12" x 12" Tile-In Flush Valve Access Door	
<input type="checkbox"/> Satin	0530-140-001

PRODUCT Specifications... The Metaal toilet features a patented* exposed decorative, geometric P-trap design. Mira Finish (high polished) accents highlighting the P-trap elbows. Toilet is fabricated from 16 gage, type 304 stainless steel with an elongated bowl punched for a standard toilet seat with 5-1/2" (140 mm) mounting centers (Seat is provided by others). Toilet rim on standard toilet is 15" (381 mm) from finished floor.

A 17" (430 mm) toilet seat height is available to comply with ADA regulations. ADA compliance is subject to the interpretation and requirements of the local code authority. Please check your local ADA regulations.

PLUMBING Specifications... This siphon jet toilet is configured for a wall supply (concealed) flush valve (sold separately) utilizing a commercial 1" (25 mm) water supply line. The 1-1/2" (38 mm) flushing inlet connection is located at the rear of the toilet, 13-1/4" (335 mm) and 15-1/4" (385 mm), above the finished floor. A circular base connects to standard floor waste connection 12" (305 mm) from finished wall with the upper rear mounted to the wall.



Neo-Metro assumes no responsibility for use of void or suspended data. All dimensions are nominal and subject to manufacturer change without notice.