

## Metaal Toilet Top Supply



### 8956-T-3

Top Supply,  
Floor Mounted, Floor Waste  
COMMERCIAL Metaal Toilet

U.S. Design Patent 470578

Toilets are configured with a 1-1/2" NPT top spud inlet for a top supply flush valve (flush valve sold separately).

- **Toilet with Patented Exposed Decorative P-Trap**
- **Commercial SIPHON JET Toilet Requiring Commercial Water Supply Line to Operate. Water Flow Pressure 35 psi (2.41 bars); Water Supply Line 1"(25 mm).**
- **TOP SUPPLY (Exposed) Flush Valve Configuration**  
Compatible Flush Valve (Sold Separately) Releases 1.6 Gallons (6 Liters) per Flush. Wall Supply Flush Valve configurations are also available.
- **STAINLESS STEEL CONSTRUCTION**  
16 Gage Satin Finish Stainless Steel with Mira (High Polish) Accents on P-Trap
- **ELONGATED TOILET BOWL**  
Punched for Toilet Seat with 5-1/2" (140 mm) Mounting Centers.
- **ADA Compliant Toilet Available** 
- **ANSI A112.19.2 Compliant** 

Stainless Steel Toilets are Recyclable 

**DESCRIPTION**

**MODEL/OPTION #**

**CONFIGURATION** - Required Selection

INIT.

**TOP SUPPLY COMMERCIAL METAAL TOILET On-Floor, Floor Waste Configuration**

**Standard Height Toilet** (15"/381 mm) 8956-T-3



**ADA COMPLIANCY**

**ADA Height Toilet** (17"/430 mm) 8956-ADA-T-3

ADA compliance is subject to the interpretation and requirements of the local code authority. Please check you local ADA regulations.

Add (+)

**FLUSH VALVE SELECTION**

INIT.

**Top Supply (Exposed) Flush Valves**

Requires commercial water supply to operate; Water flow pressure 35 psi (2.41 bars); Water supply line is 1" (25 mm) diameter; Flush valve releases 1.6 gallons (6 liters) per flush; flush valve sold separately from fixture.



**Manual Flush**  FV1.28-T  
 FV1.6-T



**Electronic Sensor**  FV1.28-T-SO  
Valve requires 120 VAC, 60Hz Plug-in Power Supply  FV1.6-T-SO



**Battery-Powered Electronic Sensor**  FV1.28-T-BSO  
Valve requires 4 AA Batteries  FV1.6-T-BSO



**APPROVAL FOR MANUFACTURE**

COMPANY: \_\_\_\_\_

PROJECT NAME: \_\_\_\_\_

SIGNEE'S NAME WRITTEN CLEARLY: \_\_\_\_\_

DATE \_\_\_\_\_


AUTHORIZED SIGNATURE: \_\_\_\_\_



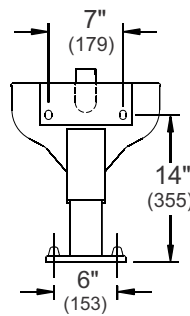
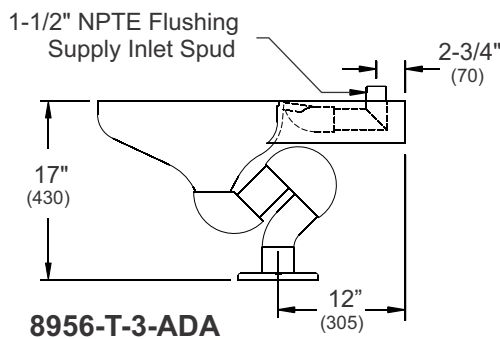
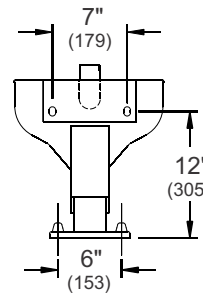
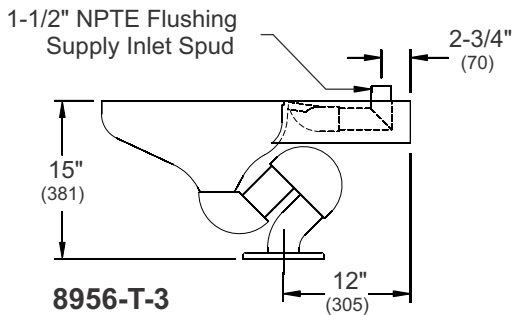
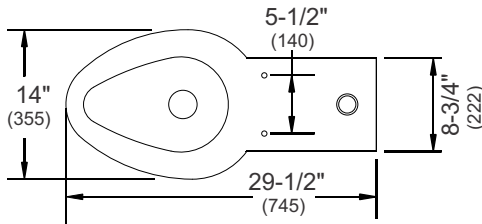
# Metaal Toilet Top Supply



**PRODUCT Specifications...** The Metaal toilet features a patented\* exposed decorative, geometric P-trap design. Mira Finish (high polished) accents highlighting the P-trap elbows. Toilet is fabricated from 16 gage, type 304 stainless steel with an elongated bowl punched for a standard toilet seat with 5-1/2" (140 mm) mounting centers. Toilet rim on standard toilet is 15" (381 mm) from finished floor.

 A 17" (430 mm) toilet seat height is available to comply with ADA regulations. ADA compliance is subject the interpretation and requirements of the local code authority. Please check your local ADA regulations.

**PLUMBING Specifications...** This siphon jet toilet is configured for a top supply (exposed) flush valve (sold separately) utilizing a commercial 1" (25 mm) water supply line. The 1-1/2" (38 mm) flushing inlet connection is located at the top of the toilet, 2-3/4" (70 mm) from wall. A circular base connects to standard floor waste connection 12" (305 mm) from finished wall with the upper rear mounted to the wall.



Neo-Metro assumes no responsibility for use of void or suspended data. All dimensions are nominal and subject to manufacturer change without notice.