

Contour Toilet Wall Supply



Model 8955-W-1
Contour Toilet
Wall Supply, Off-Floor

All toilets specified on this sheet are configured with a 1-1/2" NPTE back spud inlet for a wall supply (concealed) flush valve (flush valve sold separately).

Commercial SIPHON JET Toilet
Requiring Commercial Water Supply Line to Operate. Water Flow Pressure 35 psi (2.41 bars); Water Supply Line 1" (25 mm).

- **WALL SUPPLY (Concealed) Flush Valve Configuration**
Compatible Flush Valve (Sold Separately) Releases 1.6 Gallons (6 Liters) per Flush. Top Supply Flush Valve configurations are also available.
- **16-Gage STAINLESS STEEL CONSTRUCTION**
Satin Finish is Standard; Also Available in Mira Finish (High Polish)
- **Mounting/Wall Waste Configurations:**
 - (-1) Off-Floor, Wall Waste
 - (-2) On-Floor, Wall Waste
 - (-3) On-Floor, Floor Waste
- **ELONGATED TOILET BOWL**
Punched for Toilet Seat with 5-1/2" (140 mm) Mounting Centers (Seat is provided by others).
- **ADA Compliant Units are Available**
- **ADA and ANSI A112.19.2 Compliant**



Stainless Steel Toilets are Recyclable







DESCRIPTION	MODEL/OPTION #
CONFIGURATION - Required Selection	INIT.
WALL SUPPLY COMMERCIAL CONTOUR TOILET	
 <p>Off-Floor, Wall Waste Configuration</p> <p><input type="checkbox"/> Satin Finish (Standard) 8955-W-1</p> <p><input type="checkbox"/> Mira Finish (High Polish) 8955-W-1-HP</p> <p> ADA COMPLIANT Properly mounted 8955-W-1 toilets are ADA Compliant. ADA compliance is subject to the interpretation and requirements of local code authority. Please check your local ADA regulations.</p>	
 <p>On-Floor, Wall Waste Configuration</p> <p><input type="checkbox"/> Satin Finish (Standard) 8955-W-2</p> <p><input type="checkbox"/> Mira Finish (High Polish) 8955-W-2-HP</p> <p> ADA COMPLIANT (3" taller toilet for compliance)</p> <p><input type="checkbox"/> Satin Finish (Standard) 8955-ADA-W-2</p> <p><input type="checkbox"/> Mira Finish (High Polish) 8955-ADA-W-2-HP</p>	
 <p>On-Floor, Floor Waste Configuration</p> <p><input type="checkbox"/> Satin Finish Toilet 8955-W-3</p> <p><input type="checkbox"/> Mira Finish Toilet 8955-W-3-HP</p> <p> ADA COMPLIANT (3" taller toilet for compliance)</p> <p><input type="checkbox"/> Satin Finish (Standard) 8955-ADA-W-3</p> <p><input type="checkbox"/> Mira Finish (High Polish) 8955-ADA-W-3-HP</p>	
 <p>APPROVAL FOR MANUFACTURE</p> <p>COMPANY: _____</p> <p>PROJECT NAME: _____</p> <p>SIGNEE'S NAME WRITTEN CLEARLY: _____</p> <p>DATE _____</p> <p>AUTHORIZED SIGNATURE: _____</p>	
	

WARNING: Cancer and Reproductive Harm - www.P65Warnings.ca.gov

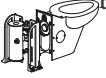
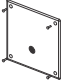
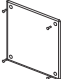

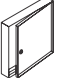
Contour Toilet Wall Supply



DESCRIPTION	MODEL/OPTION #
FLUSH VALVE SELECTION	
Wall Supply (Concealed) Flush Valves	
Requires commercial water supply to operate; Water flow pressure 35 psi (2.41 bars); Water supply line is 1" (25 mm) diameter; Flush valve releases 1.6 gallons (6 liters) per flush; flush valve sold separately from fixture.	
 <input type="checkbox"/> Manual Flush	<input type="checkbox"/> FV1.28-W <input type="checkbox"/> FV1.6-W
 <input type="checkbox"/> Hydraulic ADA Compliant	<input type="checkbox"/> FV1..28-W-H <input type="checkbox"/> FV1.6-W-H
 <input type="checkbox"/> Electronic Sensor Valve requires 120 VAC, 60Hz Plug-in Power Supply	<input type="checkbox"/> FV1.28-W-SO <input type="checkbox"/> FV1.6-W-SO

CONSTRUCTION AND PLUMBING INFORMATION
Must Specify: Wall Thickness _____
Must Specify: Wall Type _____ (Eg. drywall with tile, concrete, etc)

Orders will not be processed until specification sheets are complete and signed. NO CANCELLATIONS.

DESCRIPTION	MODEL/OPTION #
ACCESSORIES	
 <input type="checkbox"/> In-Wall Mounting Carrier Assembly Adds more stability to off-floor fixtures; includes left, right legs and waste connection for ease of installation.	2954-720-000
NOTE: INSTALLATION ON CONCRETE FLOORS RECOMMENDED. FOR OTHER FLOOR TYPES CONTACT CARRIER MANUFACTURER. FOR USE WITH 8955, OFF-FLOOR ONLY.	
14" x 14" Flush Valve Access Panel	
 <input type="checkbox"/> Satin with Push Button Hole	4080-000-001
<input type="checkbox"/> Mira (High Polish) with Push Button Hole	4080-030-001
 <input type="checkbox"/> Satin No Hole	4080-035-001
<input type="checkbox"/> Mira (High Polish) No Hole	4080-036-001
10" x 10" Flush Valve Access Door	
 <input type="checkbox"/> Satin	0530-135-001
<input type="checkbox"/> Mira (High Polish)	0530-118-001
12" x 12" Tile-In Flush Valve Access Door	
 <input type="checkbox"/> Satin	0530-140-001

Contour Toilet Wall Supply

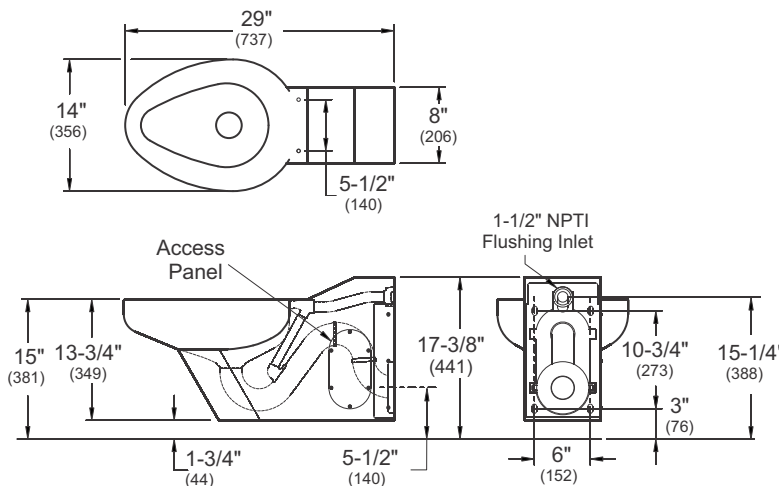
PRODUCT Specification . . . The Contour Toilet is a commercial-grade, siphon-jet toilet, manufactured of 16-gage, type 304 Satin Finish Stainless Steel (Standard). Mira Finish (High Polish) is optionally available. The fixture shall operate with a wall supply (concealed) flush valve (sold separately). The toilet bowl is punched for an elongated seat with 5-1/2" (140 mm) mounting centers (Seat is provided by others). The fixture meets ASME/ANSI A112.19.2. The trapway can pass a 2-1/8" (54 mm) ball. Off-Floor toilets (8955-W-1 series) are manufactured with a 1 3/4" (44 mm) overall height but are mounted 1-3/4" (44 mm) off of the floor. On-Floor toilets (both 8955-W-2 and 8955-W-3 series) are manufactured with a seat height of 15" (381 mm) and are wall mounted with the base resting on the floor.



The flood rim of ADA On-Floor models fixtures are 18" (430 mm) above finished floor. Off-Floor models may meet compliance if the unit is mounted

with a seat height between 17" to 19" (430 mm - 480 mm) above finished floor. An ADA compliant flush valve is available (sold separately) when specified. ADA compliance is subject to the interpretation and requirements of the local code authority.

PLUMBING Specifications . . . The Contour Toilet with Wall Supply is configured for a concealed flush valve and includes a 1-1/2" NPTI flushing inlet connection at the rear of toilet housing. The concealed flush valve utilizes a commercial 1" (25 mm) water supply line. Wall waste toilets (8955-W-1 and 8955-W-2) shall be mounted on the wall with a wall waste rough-in 5-1/2" (140mm) above finished floor. The floor waste toilet (8955-W-3) shall be mounted to finished wall with a floor waste 4-1/4" (108 mm) from finished wall.



8955-W-1
(Wall Supply Toilet -
On-Floor, Wall Waste)



ADA COMPLIANCY

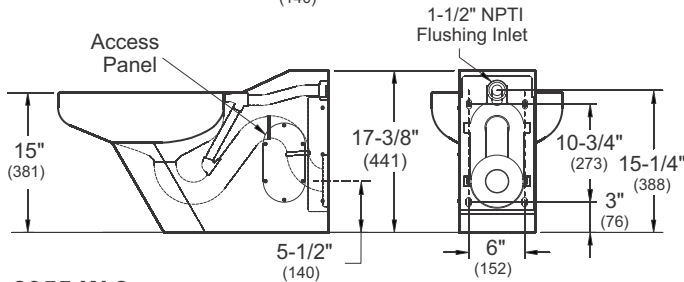
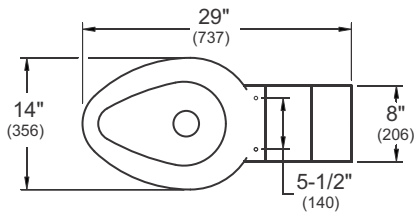
Model 8955-T-1 toilet can be used to meet ADA compliance if the seat height of the toilet is raised to 17" to 19" (430 mm - 480 mm) above finished floor. Compliance is subject to the interpretation and requirements of local code authority. Please check your local ADA regulations.



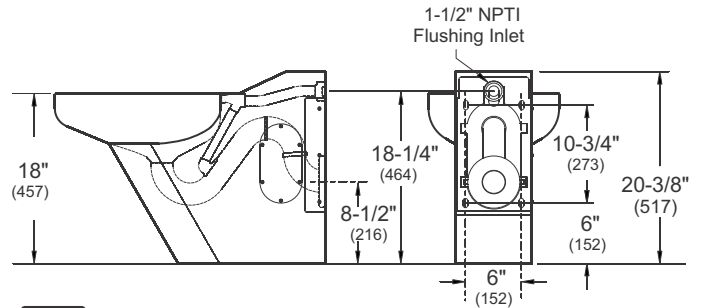
Neo-Metro assumes no responsibility for use of void or suspended data. All dimensions are nominal and subject to manufacturer change without notice.

INSTALLATION INSTRUCTIONS ARE AVAILABLE

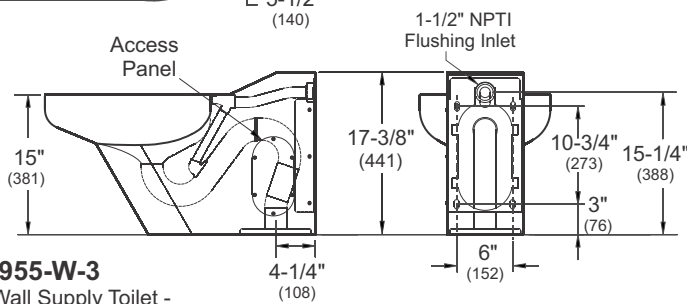
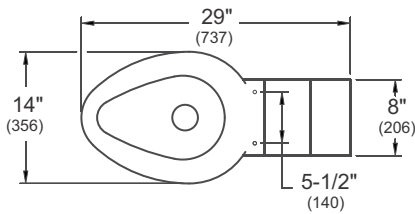
Contour Toilet Wall Supply



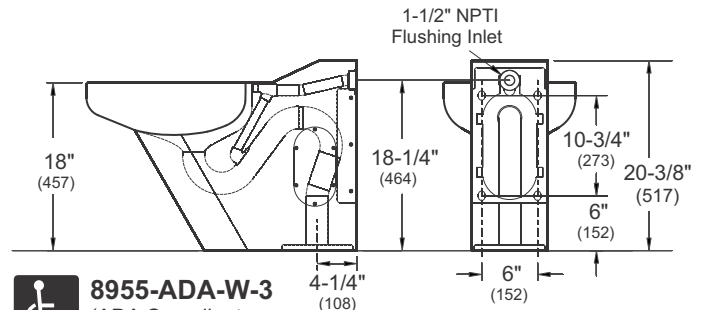
8955-W-2
(Wall Supply Toilet -
On-Floor, Wall Waste)



 **8955-ADA-W-2**
(ADA Compliant
Wall Supply Toilet -
On-Floor, Wall Waste)



8955-W-3
(Wall Supply Toilet -
On-Floor, Floor Waste)



 **8955-ADA-W-3**
(ADA Compliant
Wall Supply Toilet -
On-Floor, Floor Waste)

Neo-Metro assumes no responsibility for use of void or suspended data. All dimensions are nominal and subject to manufacturer change without notice.

INSTALLATION INSTRUCTIONS ARE AVAILABLE