



Contour Toilet Top Supply



Model 8955-T-1
Contour Toilet
Top Supply, Off-Floor

All toilets specified on this sheet are configured with a 1-1/2" NPT top spud inlet for a top supply (exposed) flush valve (flush valve sold separately).

- **Commercial SIPHON JET Toilet**
Requiring Commercial Water Supply Line to Operate. Water Flow Pressure 35 psi (2.41 bars); Water Supply Line 1"(25 mm).
- **TOP SUPPLY (Exposed) Flush Valve Configuration**
Compatible Flush Valve (Sold Separately) Releases 1.6 Gallons (6 Liters) per Flush. Wall Supply Flush Valve configurations are also available.
- **16-Gage STAINLESS STEEL CONSTRUCTION**
Satin Finish is Standard; Also Available in Mira (High Polish) Finish
- **Mounting/Wall Waste Configurations:**
 - (-1) Off-Floor, Wall Waste
 - (-2) On-Floor, Wall Waste
 - (-3) On-Floor, Floor Waste
- **ELONGATED TOILET BOWL**
Punched for Toilet Seat with 5-1/2" (140 mm) Mounting Centers (Seat Sold Separately)
- **ADA Compliant Toilets Available** 
- **ANSI A112.19.2 Compliant** 



Neo-Metro is a Member of U.S. Green Building Council



DESCRIPTION	MODEL/OPTION #
CONFIGURATION - Required Selection	INIT.

TOP SUPPLY COMMERCIAL CONTOUR TOILET



Off-Floor, Wall Waste Configuration

- Satin Finish** (Standard) 8955-T-1
- Mira Finish** (High Polish) 8955-T-1-HP



ADA COMPLIANT

Properly mounted 8955-T-1 toilets are ADA Compliant. ADA compliance is subject to the interpretation and requirements of local code authority. Please check your local ADA regulations.



On-Floor, Wall Waste Configuration

- Satin Finish** (Standard) 8955-T-2
- Mira Finish** (High Polish) 8955-T-2-HP



ADA COMPLIANT (3" taller toilet for compliance)

- Satin Finish** (Standard) 8955-ADA-T-2
- Mira Finish** (High Polish) 8955-ADA-T-2-HP



On-Floor, Floor Waste Configuration

- Satin Finish Toilet** 8955-T-3
- Mira Finish Toilet** 8955-T-3-HP



ADA COMPLIANT (3" taller toilet for compliance)

- Satin Finish** (Standard) 8955-ADA-T-3
- Mira Finish** (High Polish) 8955-ADA-T-3-HP



APPROVAL FOR MANUFACTURE

COMPANY: _____

PROJECT NAME: _____

SIGNEE'S NAME WRITTEN CLEARLY: _____

DATE _____

AUTHORIZED SIGNATURE: _____



WARNING: Cancer and Reproductive Harm - www.P65Warnings.ca.gov

Contour Toilet Top Supply



Contour Toilet Top Supply

Model 8955-T-2
On-Floor, Wall Waste

All toilets specified on this sheet are configured with a 1-1/2" NPT top supply inlet for a top supply (exposed) flush valve (flush valve sold separately).

Orders will not be processed until specification sheets are complete and signed. NO CANCELLATIONS.

DESCRIPTION

MODEL/OPTION #

Add (+)

FLUSH VALVE SELECTION

INIT.

Top Supply (Exposed) Flush Valves



Requires commercial water supply to operate; Water flow pressure 35 psi (2.41 bars); Water supply line is 1" (25 mm) diameter; Flush valve releases 1.6 gallons (6 liters) per flush; flush valve sold separately from fixture.



Manual Flush

FV1.28-T
 FV1.6-T



Electronic Sensor

Valve requires 120 VAC, 60Hz Plug-in Power Supply

FV1.28-T-SO
 FV1.6-T-SO



Battery-Powered Electronic Sensor

Valve requires 4 AA Batteries

FV1.28-T-BSO
 FV1.6-T-BSO

Add (+)

ACCESSORIES

INIT.



In-Wall Mounting Carrier Assembly

2954-720-000

Adds more stability to off-floor fixtures; Includes left, right legs and waste connection for ease of installation.

NOTE: INSTALLATION ON CONCRETE FLOORS RECOMMENDED. FOR OTHER FLOOR TYPES CONTACT CARRIER MANUFACTURER.
FOR USE WITH 8955, OFF-FLOOR ONLY.



ABS Plastic Elongated Toilet Seats with Open Front

Black

HS-CB



ABS Plastic Elongated Toilet Seats with Cover

Satin

Chrome Plated

HS-CSF

Mira (High Polish)

Chrome Plated

HS-CMF

Black

(with Soft-Close Hinges)

HS-RB

Contour Toilet Top Supply

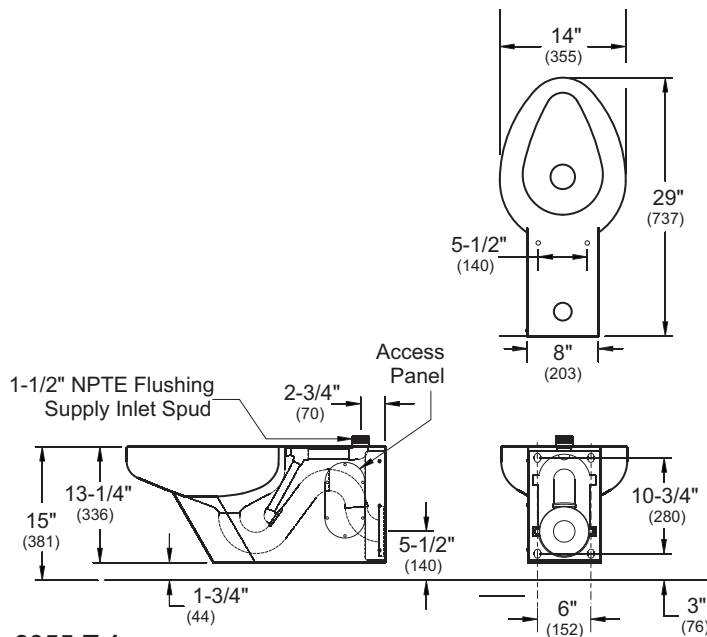
PRODUCT Specification . . . The Contour Toilet is a commercial-grade, siphon-jet toilet, manufactured of 16-gage, type 304 Satin Finish Stainless Steel (Standard). Mira Finish (High Polish) is optionally available. The fixture shall operate with a top supply (exposed) flush valve (sold separately). The toilet bowl is punched for an elongated seat with 5-1/2" (140 mm) mounting centers (sold separately). The fixture meets ASME/ANSI A112.19.2. The trapway can pass a 2-1/8" (54 mm) ball. Off-Floor toilets (8955-T-1 series) are manufactured with a 13-1/4" (336 mm) overall height but are mounted 1-3/4" (44 mm) off of the floor. On-Floor toilets (both 8955-T-2 and 8955-T-3 series) are manufactured with an overall height of 15" (381mm) and are wall mounted with the base resting on the floor.

compliance if the unit is mounted with a seat height between 17" to 19" (430 mm - 480 mm) above finished floor. An ADA compliant flush valve is available (sold separately) when specified. ADA compliance is subject to the interpretation and requirements of the local code authority.

PLUMBING Specifications . . . The Contour Toilet with Top Supply is configured for an exposed flush valve and includes a 1-1/2" NPTE flushing inlet connection at the top of toilet housing. The exposed flush valve utilizes a commercial 1" (25 mm) water supply line. Off-Floor toilets (8955-T-1) shall be mounted on the wall with a wall waste rough-in 5-1/2" (140mm) above finished floor. The On-Floor toilets (8955-T-3) shall be mounted to a finished wall with a floor waste 4-1/4" (108mm) from finished wall. (Standard)



ADA On-Floor models are fabricated so that the flood rim of the fixture is 18" (430mm) above finished floor. Off-Floor models may meet



8955-T-1
(OFF FLOOR, WALL WASTE)



ADA COMPLIANCY

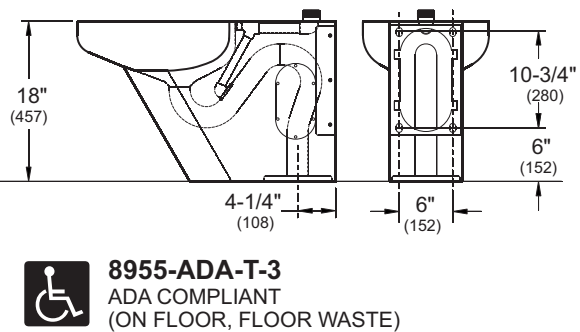
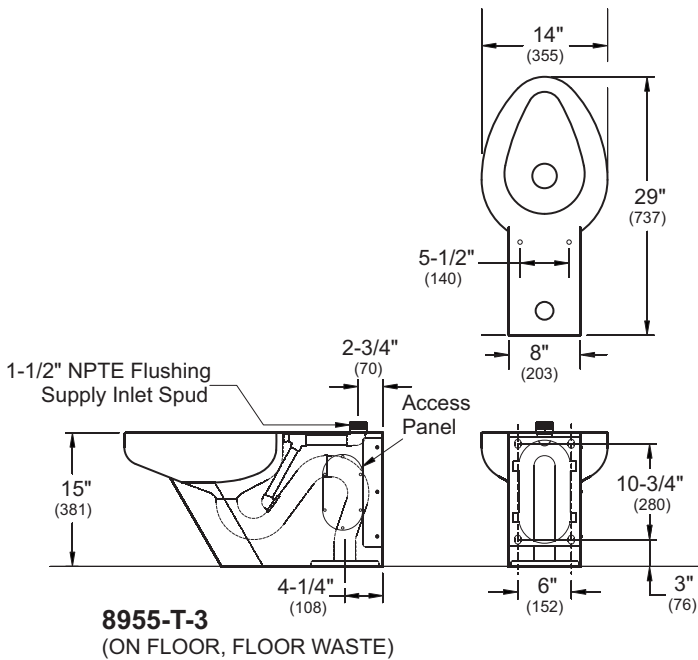
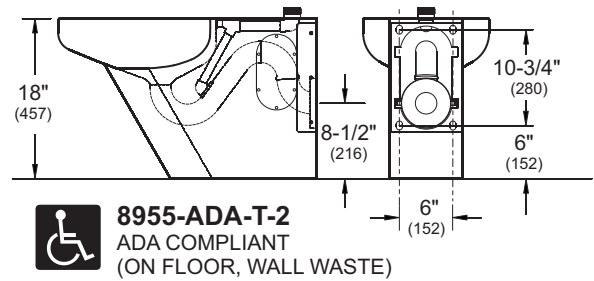
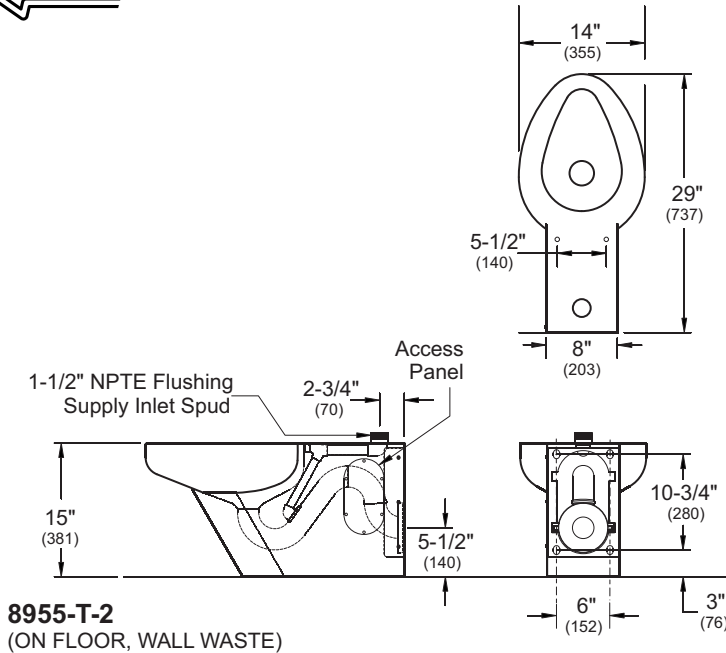
Model 8955-T-1 toilet can be used to meet ADA compliancy if the seat height of the toilet is raised to 17" to 19" (430 mm - 480 mm) above finished floor. Compliance is subject to the interpretation and requirements of local code authority. Please check your local ADA regulations.



Neo-Metro assumes no responsibility for use of void or suspended data. All dimensions are nominal and subject to manufacturer change without notice.

INSTALLATION INSTRUCTIONS ARE AVAILABLE

Contour Toilet Top Supply



Neo-Metro assumes no responsibility for use of void or suspended data. All dimensions are nominal and subject to manufacturer change without notice.

INSTALLATION INSTRUCTIONS ARE AVAILABLE