

miniLoo® Toilet



Model Shown: 8952-W-1-DFSP-HS-CMFR
Satin Finish (Standard) Stainless Steel MiniLoo Toilet; Geberit® Concealed Tank & Carrier System with Neo-Metro's Satin Finish Dual Flush Panel

- **SPACE SAVING COMPACT CONICAL ROUND TOILET DESIGNED TO WORK WITH A GEBERIT® CONCEALED TANK AND CARRIER SYSTEM**
Tank & Carrier System Sold Separately from Fixture. Geberit® system is installed into a wall utilizing standard resident water lines; waste outlet in the wall
- **Water Saving Dual Flush Actuator Panel**
Dispenses 0.8 Gallons (3 Liters) per Flush for Liquid Waste and 1.6 Gallons (6 Liters) per Flush for Solid Waste
- **Heavy 16-Gage Stainless Steel Construction**
- **Toilet Punched for Top Mounted Seat**
Seat Hole Plugs Provided; Seat Sold By Others
- **Available in Off-Floor(-1) Configuration Only**
- **Codes/Standards Applicable - ANSI A112.19.2,**
(REFER TO TECHNICAL DATA SHEET FOR COMPLETE DETAILS)
- **GREENGUARD GOLD CERTIFIED FOR LOW EMISSIONS**



Stainless Steel Toilet Bowl is Recyclable

DESCRIPTION MODEL/OPTION #
TOILET BOWL - Required Selection INIT. _____

Off-Floor Mounting (Wall Waste) Wall Supply Toilet

<input type="checkbox"/> Satin Finish (Standard)	8952-W-1
<input type="checkbox"/> Mira Finish (High Polish)	8952-W-1-HP
<input type="checkbox"/> White Gloss Powdercoat, Satin Finish Bowl	8952-W-1-EG-10-SFB
<input type="checkbox"/> White Gloss Powdercoat, High Polish Bowl	8952-W-1-EG-10-HPB
<input type="checkbox"/> White Matte Powdercoat, Satin Finish Bowl	8952-W-1-EG-26-SFB
<input type="checkbox"/> White Matte Powdercoat, High Polish Bowl	8952-W-1-EG-26-HPB
<input type="checkbox"/> Black Gloss Powdercoat, Satin Finish Bowl	8952-W-1-EG-07-SFB
<input type="checkbox"/> Black Gloss Powdercoat, High Polish Bowl	8952-W-1-EG-07-HPB
<input type="checkbox"/> Black Matte Powdercoat, Satin Finish Bowl	8952-W-1-EG-22-SFB
<input type="checkbox"/> Black Matte Powdercoat, High Polish Bowl	8952-W-1-EG-22-HPB

Add (+)

FLUSHING MECHANISM Required Selection INIT. _____

Neo-Metro's Dual Flush Panel



Select Finish on Panel

<input type="checkbox"/> Satin Finish (Standard)	DFSP
<input type="checkbox"/> Mira Finish (High Polish)	DFMP
<input type="checkbox"/> White Gloss Powdercoat	DFSP-EG-10
<input type="checkbox"/> White Matte Powdercoat	DFSP-EG-26
<input type="checkbox"/> Black Gloss Powdercoat	DFSP-EG-07
<input type="checkbox"/> Black Matte Powdercoat	DFSP-EG-22

WARNING: Cancer and Reproductive Harm - www.P65Warnings.ca.gov

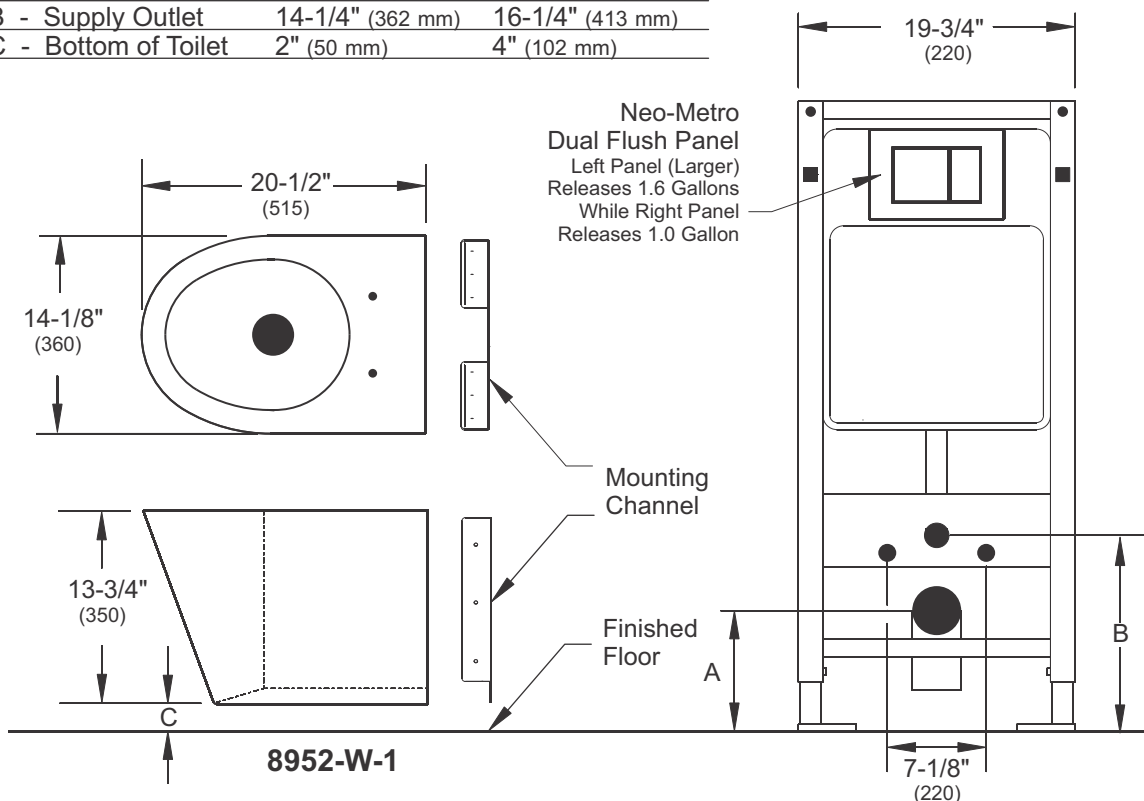
miniLoo™ Toilet

PRODUCT Specification . . . The cistern flush style toilet is designed to work with the Geberit® concealed tank and carrier system (tank & carrier sold separately and provided by others). A Neo-Metro Dual Flush Panel releases 1.0 or 1.6 gallons (3.8 or 6 liters) per flush. Toilet shall be fabricated of 16-gage, Type 304 stainless steel. Toilet is configured for an off-floor wall mounted application. Toilet bowl is a compact conical round bowl and is punched and threaded for a top mounting round toilet seat. Stainless steel P-Trap shall pass a 2-1/8" (54 mm) ball. Toilets meet ASME/ANSI guidelines as outlined in A112.19.2M-1998. Both toilet and Dual Flush Panel are available in Satin (Standard), Mira (High Polish), White or Black Gloss Powdercoat Stainless Steel.

Refer to specification sheet for Geberit® In-Wall Systems for Wall-Hung Toilets for compatible units (Model # 111.335.00.5 or as required to suit conditions).

PLUMBING Specification . . . The toilet must use a Geberit® concealed (in-wall) tank and carrier system. Geberit® carrier requires 19-3/4" (502 mm) clearance between 2" x 6" (51 mm x 152 mm) wall studs. Tank releases an average 1 or 1.6 gallons (3.8 or 6 liters) per flush using Neo-Metro Dual Flush panel. Both water inlet and waste outlet are through the wall.

DIMENSION FROM FINISH FLOOR	STANDARD INSTALLATION	18" RIM HEIGHT INSTALLATION
A - Waste Outlet	9" (230 mm)	11" (279 mm)
B - Supply Outlet	14-1/4" (362 mm)	16-1/4" (413 mm)
C - Bottom of Toilet	2" (50 mm)	4" (102 mm)



Neo-Metro assumes no responsibility for use of void or suspended data. All dimensions are nominal and subject to manufacturer change without notice.

INSTALLATION INSTRUCTIONS ARE AVAILABLE

Latest product information www.neo-metro.com

NEO-METRO® by ACORN®