

METRO URBAN Toilet



Model Shown: Model 8950-3
Satin Finish Stainless Steel Metro Urban Toilet

- Toilet with Cistern tank works with standard residential water inlet & waste outlet
- Heavy 16-Gage Stainless Steel Construction
- Satin Finish (Entire Unit) is Standard
Optional Mira high polish finish
- Elongated Toilet Bowl (Seat Sold Separately)
- Polyethylene Inner Tank
- Flush Valve Is Adjustable From 1.28 Gallons (4.8 Liters) To 1.6 Gallons (6 Liters) Per Flush

DESCRIPTION	MODEL/OPTION #
-------------	----------------

FINISHES - Required Selection	
	INIT.
METRO URBAN TOILET - Residential	
<input type="checkbox"/> Satin Finish (standard)	8950-3
<input type="checkbox"/> Mira Finish High Polish	8950-3-HP
<input type="checkbox"/> White Gloss Powdercoat	8950-3-EG-10
<input type="checkbox"/> White Gloss Powdercoat Satin Finish Bowl	8950-3-EG-10-SFB
<input type="checkbox"/> White Gloss Powdercoat High Polish Finish Bowl	8950-3-EG-10-HPB
<input type="checkbox"/> Black Matte Powdercoat	8950-3-EG-22
<input type="checkbox"/> Black Matte Powdercoat Satin Finish Bowl	8950-3-EG-22-SFB
<input type="checkbox"/> Black Matte Powdercoat High Polish Finish Bowl	8950-3-EG-22-HPB
<input type="checkbox"/> Custom Powdercoat	

METRO URBAN TOILET - Commercial	
<input type="checkbox"/> Satin Finish (Elongated Bowl)	8950-3-PFS
<input type="checkbox"/> Mira Finish High Polish	8950-3-PFS-HP
<input type="checkbox"/> White Gloss Powdercoat	8950-3-PFS-EG-10
<input type="checkbox"/> White Gloss Powdercoat Satin Finish Bowl	8950-3-PFS-EG-10-SFB
<input type="checkbox"/> White Gloss Powdercoat High Polish Finish Bowl	8950-3-PFS-EG-10-HPB
<input type="checkbox"/> Black Matte Powdercoat	8950-3-PFS-EG-22
<input type="checkbox"/> Black Matte Powdercoat Satin Finish Bowl	8950-3-PFS-EG-22-SFB
<input type="checkbox"/> Black Matte Powdercoat High Polish Finish Bowl	8950-3-PFS-EG-22-HPB
<input type="checkbox"/> Custom Powdercoat	



Member of
U.S. Green
Building
Council



Recyclable
Product

COMPANY: _____

PROJECT NAME: _____

SIGNEE'S NAME WRITTEN CLEARLY: _____ DATE: _____

AUTHORIZED SIGNATURE: _____

⚠ WARNING: Cancer and Reproductive Harm - www.P65Warnings.ca.gov

METRO URBAN Toilet

Product Specifications...

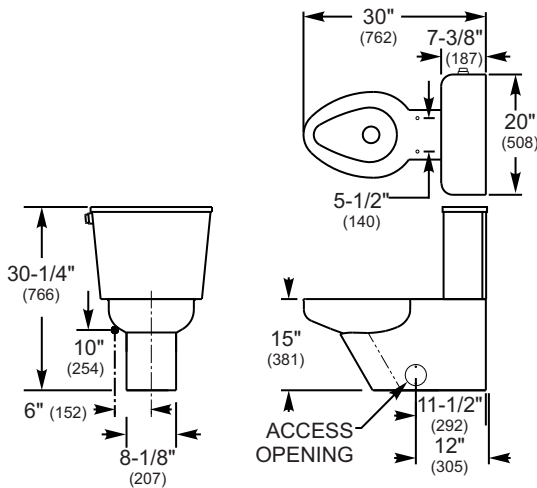
The Metro Urban Toilet features patented* design which includes a metal cistern tank and bowl. Metro Urban Toilet shall be made of 16-gage type 304 Satin Finish stainless steel. Mira (High Polish) Stainless Steel is also available. The toilet bowl is elongated and is punched and threaded (1/4"-20 UNC) for Residential or punched for Commercial, for top mounting elongated toilet seat (seat not included). Trapway can pass a 2-1/8" (54 mm) ball. Toilet tank has a polyethylene inner liner and flushes with a conventional Fluidmaster® float/flapper mechanism utilizing water consumption between 1.28 Gallons (4.8 Liters) to 1.6 gallons (6 liter) per flush.



ADA compliant Metro Urban Toilet is available (see specification sheet TS 8950ADA) with a taller bowl and ADA compliant flush activating lever. Other ADA considerations may be required. Please check your local ADA regulations.

PLUMBING Specification . . . Toilet uses standard residential water inlet and waste outlet. Fill valve inlet is 1/2" NPS. Wall inlet location recommend at 6" (152 mm) from the center and 10" (254 mm) from finished floor. On-floor waste outlet to be located 12" (305 mm) from finished wall. Access via removable side panels.

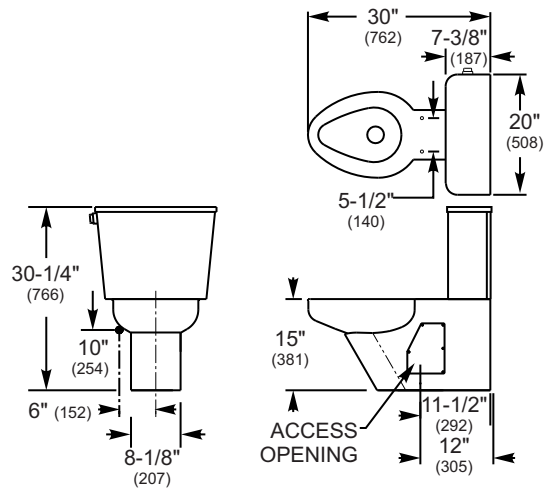
Residential Toilet



Toilet seat application

Punched and threaded for top mounted toilet seat. 1/4" -20 UNC x 1" screws provided. Seat sold separately.

Commercial Toilet



Commercial Toilet seat application

Punched for through bolt commercial, open front toilet seat. Seat sold separately.

Neo-Metro assumes no responsibility for use of void or suspended data. All dimensions are nominal and subject to manufacturer change without notice.

INSTALLATION INSTRUCTIONS ARE AVAILABLE