

FEATURES

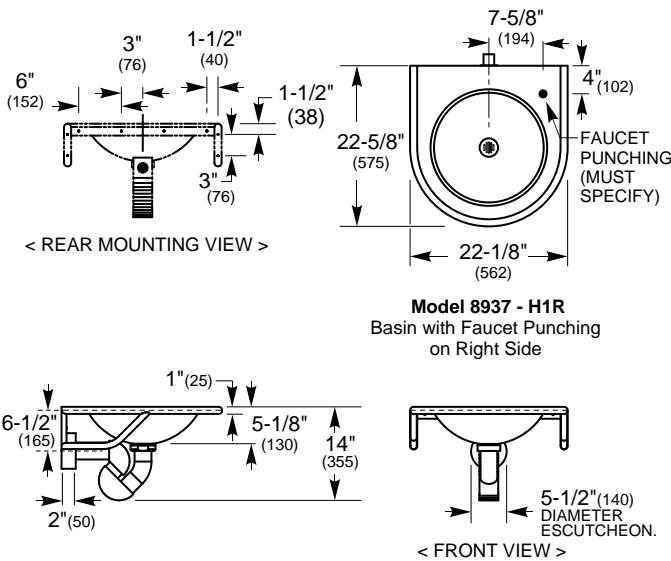
- WALL MOUNTED BASIN WITH INTEGRAL ROUND BOWL AND DECORATIVE EXPOSED P-TRAP
- Heavy 16-Gage Satin Finish Stainless Steel Construction with Mira High Polish Accents on P-Trap
- Stainless Steel is a Recyclable Metal. 
- Unique, Decorative Tubular Rim
- Lower Support Bars Can be Used as Towel Bars.

NOTE: Faucet not Included.

Punched for Single Hole Faucet; Punching Must be Specified.





Model 8937-H1R
Metāal Basin
with Faucet Mounting
on Right Side



ORDERING OPTIONS

- 8937 Metāal Basin
Satin Finish with Mira High Polish Accents on P-Trap

All orders must specify faucet punching:

-  - H1L
Single Hole
Angle Left
-  - H1R
Single Hole
Angle Right

Faucets not included with fixture. Other punching configurations can be requested. Please call NEO-METRO.

INSTALLATION INSTRUCTIONS ARE AVAILABLE.

PRODUCT Specification . . . Metaal Basin is a one-piece, wall mounted basin with integral round bowl. The basin has a patented* decorative exposed P-trap design. The basin is manufactured entirely out of 16-gage, Type 304 stainless steel, with seam welded construction. All seam welds shall be ground smooth and be polished to a Satin finish. Faceted elbows on trap are in Mira finish. Brackets are concealed with a curved cover. Basin features a patented** tubular rim design. Lower support bars continue the tubular design, which also can be used a towel bars.

PLUMBING Specification . . . The Metaal Basin is wall mounted. The basin has a 1-1/2" (38 mm) O.D. P-trap waste outlet. The deck is factory punched with a single hole, either left or right corner for single hole faucet (Customer must specify at time of ordering.) Holes punched for faucets are 1-5/16" (33 mm) diameter. Faucet not included. Other mounting configurations can be ordered, please contact NEO-METRO. Drain is not removable.

U.S. Design Patent 470927* & 472966**

Approved for Manufacturing

Company	Project Name	Authorized Signature	Name Written Clearly	Date

Neo-Metro assumes no responsibility for use of void or suspended data. All dimensions are nominal and subject to manufacturer change without notice. © 2005 NEO-METRO®, A Division of Acorn Engineering Company. Please visit www.neo-metro.com for most current specifications.

TOLL FREE 800-591-9050 • WEB SITE www.neo-metro.com

NEO-METRO® • P.O. Box 3527 • City of Industry, CA 91744 U.S.A. • Local Phone 626-855-4854 • Fax 626-937-4725

TS 8937
PAGE 1 OF 1

L1000752 (11/15/04)