

30" Solid Surface Basin




Patented D727,475

Model Shown: 9121 With Dyson Airblade™ Wash + Dry WD04
30" Wide Solid Surface Deck with Integrated Basin & Optional Trap Enclosure

- WALL MOUNTED 30" LENGTH SOLID SURFACE DECK WITH INTEGRATED BASIN
- INTENDED TO BE UTILIZED WITH DYSON AIRBLADE™ FAUCETS
- ACCOMMODATES HEAVY-DUTY COMMERCIAL FLOOR MOUNTED CARRIER
- ADA COMPLIANT (WHEN PROPERLY INSTALLED) 
- OBC COMPLIANT (WHEN PROPERLY INSTALLED) (ONTARIO BUILDING CODE - CANADA)
- CSA COMPLIANT (CANADIAN STANDARDS ASSOCIATION)
- MATERIAL OF CONSTRUCTIONS PHYSICAL PROPERTIES IN COMPLIANCE WITH:
CSA B45.5/IAPMO Z124
ANSI/ICPA SS-1
(REFER TO TECHNICAL DATA SHEET FOR COMPLETE DETAILS)
- GREENGUARD GOLD CERTIFIED FOR LOW EMISSIONS

DESCRIPTION **MODEL/OPTION #**

- A ORIENTATION** - Required Selection INIT.
- Standard Arm/Wall Mounted Carrier** 9121-MC
Suggested for residential/light commercial applications
 - Commercial Floor Mounted Arm/Carrier** 9121-MC-FLR
Required for commercial application (requires 2" x 6" wall construction) 

CONSTRUCTION INFORMATION *Specify -*
Wall Thickness: _____
Wall Type _____
(e.g. drywall with tile, concrete, etc.)

Add (+) **B COUNTER COLOR SELECTION** - Required Selection INIT.

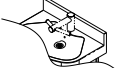
Corterra® Solid Surface Color
Color: _____
(Refer to <https://www.neo-metro.com/luxury-solid-surface> for available colors)

Add (+) **C FAUCET AND CONFIGURATION** - Required Selection INIT.

- No Faucet Hole** - H0
For wall mounted faucet
- Single Hole** - H1
ø1-5/16" Centered Hole
- Dyson Airblade™ Wash + Dry WD04**
Deck Mounted Short Faucet 
- Dyson Airblade™ Wash + Dry WD06**
Wall Mounted Faucet 

Customer is required to submit faucet spec sheet to confirm compatibility with Neo-Metro's faucet drilling.


Add (+) **D BACKSPLASH** - Required Selection INIT.

- Standard Deck**
- Backsplash** -BKS 

Add (+) **E P-TRAP COVER** - Optional Selection INIT.

- TE-S** **Satin Finish Stainless Steel Trap Enclosure**
- TE-EG-10** **White Gloss Powder Coated Stainless Steel Trap Enclosure**

Add (+) **F PRODUCT OPTIONS** - Optional Selection INIT.

- MXTP** -ST70CP-12
ASSE 1070 Tempering Valve 




30" Solid Surface Basin

Counter with Integral Basin is constructed of Corterra solid surface polymer resin. Fixture includes Grid Strainer and continuous Waste Piping with 1-1/2" P-Trap. **Note:** To Insure proper drainage use the supplied Grid Strainer. This product is not to be utilized with a "pop-up" type Drain Fitting.

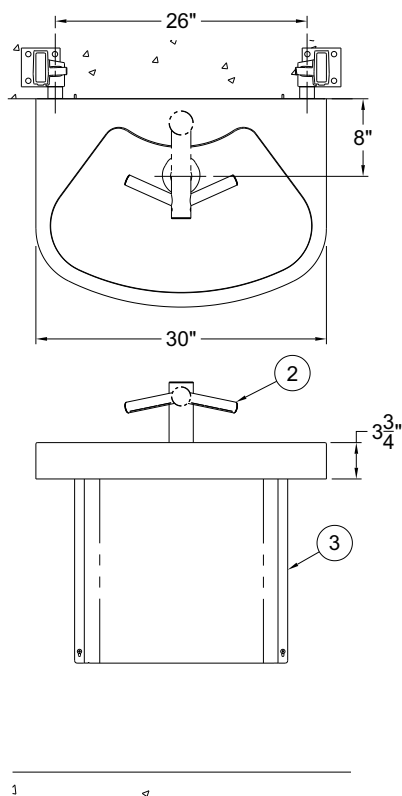
The Deck is configured for Carrier mounting

A commercial floor mounted Arm/Carrier (-MC-FLR) is available optionally which requires a 2" x 6" wall construction. Carrier system is concealed in the wall therefore installation must be coordinated before wall is finished.

Optional P-Trap Enclosure conceals hot & cold Mixing Valve, Supply and Waste connections. Enclosure is fabricated of 18 gage, type 304 stainless steel with a satin finish engineered to provide a profile that complies with both ADA & OBC.

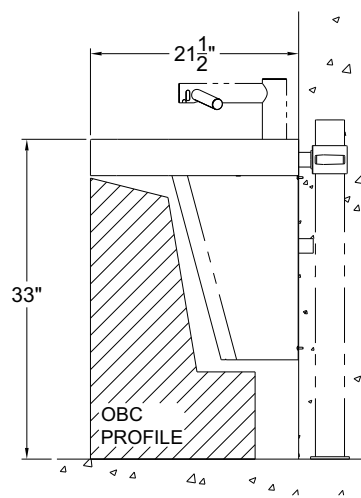
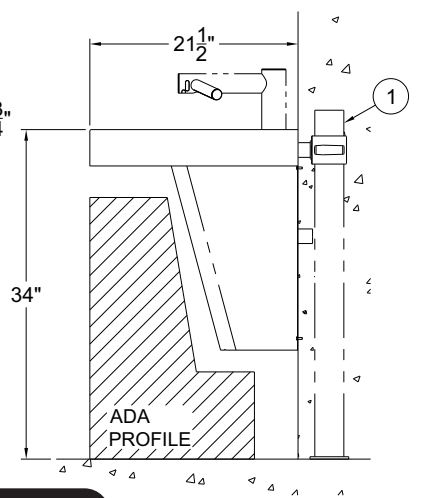
 **Basin** is intended to be mounted to accommodate ADA. When mounted 34" at finished floor, fixture would comply with ANSI, UFAS and ADA requirements. Alternatively, when mounted 33" above finished floor, fixture would comply with OBC requirements. Compliance is subject to the interpretation and requirements of the local code authority

Dyson Airblade™ Wash + Dry Faucets are optionally available, in both deck and wall mounted versions. A 1-5/16" (33.3mm) hole can be drilled in a pre-configured single-hole (-H1) and a no hole option (-H0) for wall mounted faucets by others. Neo-Metro requires customers to submit specification sheet of Faucet to confirm compatibility. Custom Faucet configurations may be specified by submitting a completed and signed Faucet Drilling Worksheet. Neo-Metro stainless steel commercial faucets are available and sold separately.



- ① OPTIONAL COMMERCIAL FLOOR MOUNTED ARM/CARRIER (-MC-FLR)
- ② DYSON AIRBLADE™ WASH + DRY WD04 DECK MOUNTED SHORT FAUCET
- ③ OPTIONAL TRAP ENCLOSURE

All dimensions are subject to manufacturer's tolerance of plus or minus 1/2" nominal and subject to change without notice. assumes no responsibility for use of void or superseded data. Neo-Metro, City of Industry, CA, Member of Morris Group International. Please visit www.acorneng.com for most current specifications.



 **APPROVAL FOR MANUFACTURE**

COMPANY: _____

PROJECT NAME: _____

SIGNEE'S NAME WRITTEN CLEARLY: _____

DATE: _____

AUTHORIZED SIGNATURE: _____

 **WARNING:** Cancer and Reproductive Harm - www.P65Warnings.ca.gov