

Geberit Installation System for Wall-Hung Toilets, 2 x 6 Installations

Product Specifications

In-Wall Duofix carrier system and concealed tank with actuator flush panel or pneumatic push button for washdown wall-hung toilets. System shall fit within minimum 5½" (146 mm) framing wall or plumbing chase, with wood construction or steel framing members placed 19¾" (500 mm) apart. Framing members should be capable of supporting a 880 pound (400 kg) load without damage to the wall. Water supply shall have flow diameter no smaller than 1/2" (13 mm) copper tube, and a minimum flow pressure of 2 PSI (0.01 MPa). The toilet bowl shall be a third party listed low-consumption 1.6 GPF (6 LPF) or 1.6/0.8 GPF (6/3 LPF) dual-flush 2-hole wall-hung type. The carrier frame shall be adjustable for bowl rim heights from 15" to 19" (381 to 483 mm). Actuator flush panels shall be diecast zinc, molded plastic or fabricated stainless steel and plated to preserve material integrity. All components shall be compliant with applicable codes and product standards.

Warranty

Limited lifetime warranty on tank and carrier, 10-year warranty on fill valve and flush valve. One-year warranty on actuator flush plates.

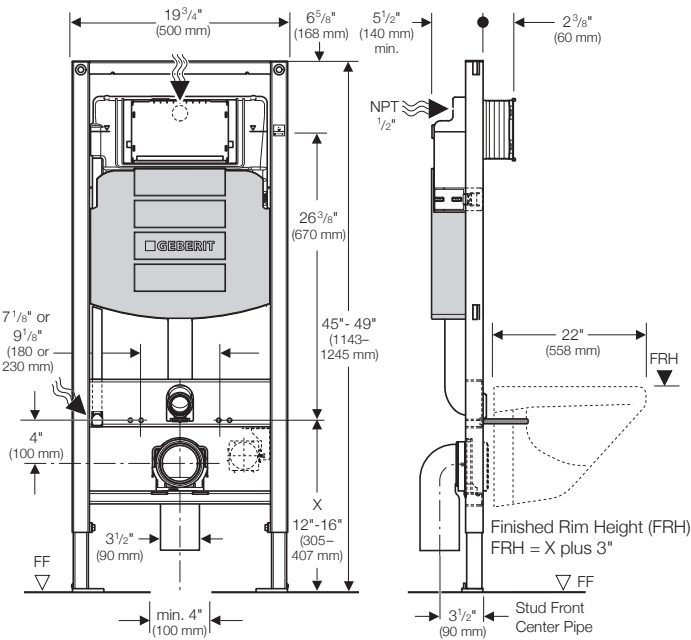
Features

- Water consumption – Dual-flush system allows 1.6/0.8 GPF (6/3 LPF), giving effective flush volume of 1.1 GPF (4 LPF)
- Anti-siphon fill valve
- Impact resistant high density polyethylene (HDPE) tank, insulated to prevent condensation
- 16-gauge, powder-coated, structural-steel tubing rated to 880 lbs. (400 kg) without damage to finished wall or carrier unit
- Bowl rim height adjustments from 15" to 19" (381 to 483 mm)
- 49" (1245 mm) frame height
- For finished walls up to 3½" (9cm) thick
- Medium inspection opening for flush actuator plates Sigma, Bolero, Mambo, Tango
- Includes installation and rough-in materials

Complies with the latest editions of:

- ASME: A112.6.2, A112.19.5, A112.19.14
- ANSI Z124.4
- CSA B125.3
- ANSI/ASSE 1002
- IAPMO PS-50
- UNAR / UNAR-HET
- ASME A112.19.2
- This concealed tank is WaterSense® compliant when used in combination with the toilet bowl models listed on page 2 of this sheet.
- State of Massachusetts listed

Model No.	Description
111.335.00.5	Geberit Duofix Carrier with Sigma Concealed Tank (UP320), 2 x 6 installations for wall-hung toilets



ARCHITECT/ENGINEER APPROVAL

Job Name _____

Date _____ Quantity _____

Model Specified _____

Variations Specified _____

Customer/Wholesaler _____

Contractor _____

Architect _____

Geberit Installation System for Wall-Hung Toilets, 2 x 6 Installations



WaterSense EPA High Efficiency

Compatible Wall-hung Toilet Bowl Models

Brand Name	Model No.*	Model Name
Duravit	220509	2nd Floor
	015609	Caro
	220909	D-Code
	020709	Darling
	017509	Foster
	017109	Happy D
	221909	PuraVida
	016009	Starck 2
	220009	Starck 3
	220209	Starck 3
	220309	Starck 3
	222609	Starck 3 elongated
	220409	Starck X
	221709	Vero
	Laufen	8.2090.0
8.2067.1		Form
8.2097.6		Alessi One
8.2095.0		Laufen Pro
8.2095.2		Laufen Pro Compact
8.2068.0		LB3
8.2043.5		Living City
8.2055.0		Mimo
8.2094.6		Mylife
8.2080.1		Palomba
Porcher	47010-11	Solutions
TOTO	CT418FG	Aquia
Villeroy & Boch	6612-XX-XX	Aveo
	5664-XX-XX	Bellevue
	6653-XX-XX	Century
	6661-XX-XX	Hommage
	5627-10-XX	La Belle
	5628-10-XX	Memento
	6664-XX-XX	Oblic
	5674-10-XX	Omnia Architectura
	5678-10-XX	Omnia Architectura Vita
	5670-XX-XX	Pure Stone
	5622-XX-XX	Sentique
	6600-XX-XX	Subway
	5600-10-XX	Subway 2.0

Other Compatible Wall-hung Toilet Bowl Models

Brand Name	Model No.*	Model Name
Blu Bathworks	—	cirq
	LW6008	Coco
	LW6020	Metrix
Duravit	222309	D-Code elongated
Lacava	005458	Aquagrande
Mirabelle	MIREDD220WH	Edenton
	MIRWH220WH	Winter Haven
Neo-Metro	8951	Euro-Urban Contour
	8957	Metaal
	8952	miniLoo
ROCA	346517	Dama Senso
	343329	Giralda
	346517	Hall
	346500	Happening
Villeroy & Boch	7631-XX-XX	Magnum

Note: Tank model numbers may have suffix xx.x, where xx.x denotes shipping information.

*Consult toilet manufacturers for up-to-date model numbers and availability.

Geberit
2100 S. Clearwater Drive
Des Plaines, IL 60018
USA

P 800-566-2100
F 847-803-5454

→ geberit.us

© 2012 Geberit. Product specifications subject to change without notice.

GNA7022 06/12