

Waterless Urinal



Model Shown: 8947

Satin Finish Stainless Steel Waterless Urinal

- **Waterless Stainless Steel Urinal**
- **16 Gage Contoured Bowl Facilitates Easy Cleaning**
- **18 Gage 304 Stainless Steel Housing**
- **Satin Finish (Entire Unit) is Standard**
Optional Finishes include Mira High Polish, White Gloss and Black Matte Powdercoat
- **Open Bottom for Easy Servicing and Installation**
- **No Messy and Expensive Replacement Liquid Cartridges**
- **Compliances:**
ANSI, ADA, UFAS and Leeds



Stainless Steel Urinal is Recyclable 

Neo-Metro is a Member of U.S. Green Building Council 

DESCRIPTION	MODEL/OPTION #
FINISH - Required Selection	INIT.
<input type="checkbox"/> Satin Finish (Standard)	8947
<input type="checkbox"/> Mira Finish (High Polish)	8947-HP
<input type="checkbox"/> White Gloss Powdercoat	8947-EG-10
<input type="checkbox"/> Black Matte Powdercoat	8947-EG-22



ADA Compliancy

This fixture is ADA compliant if rim height is positioned 17" (432 mm) above the finished floor. ADA compliance is subject to the interpretation and requirements of the local code authority. **Please check your local ADA regulations.**



APPROVAL FOR MANUFACTURE

COMPANY: _____

PROJECT NAME: _____

SIGNEE'S NAME WRITTEN CLEARLY: _____

DATE _____

AUTHORIZED SIGNATURE: _____

Waterless Urinal

Product Specification... Waterless Urinals are engineered to combine attractive looks, versatility and intended for mounting onto a finished wall from the front side. Urinals feature a contoured interior to facilitate cleaning.

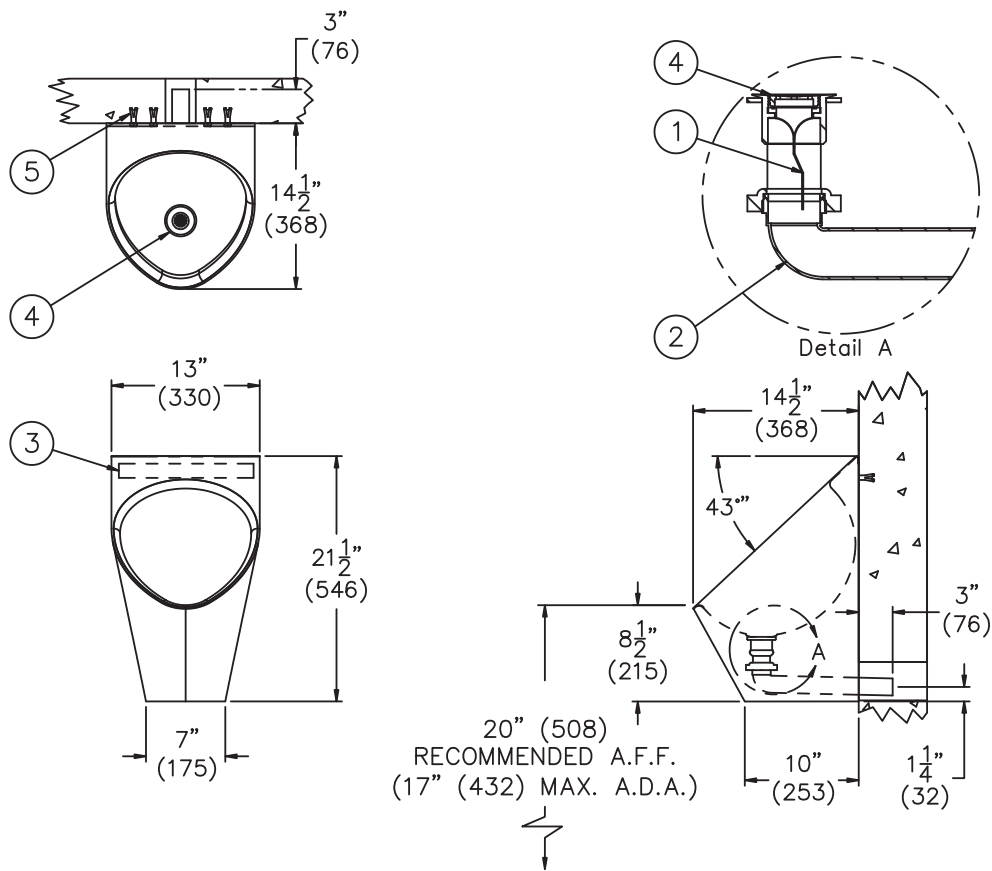


Urinals mounted at 17" (432 mm) rim height comply with ANSI, ADA, UFAS accessibility requirements. **Compliance is subject to the interpretation and requirements of the local code authority.**

Compliance is subject to the interpretation and requirements of the local code authority.

Housing is fabricated of 18 gage, bowl of 16 gage type 304 stainless steel with exterior surfaces polished to a satin finish. Unit has an open bottom for servicing and installation.

Urinal is a waterless type with removable strainer, which acts as a retainer for the drain duckbill diaphragm and supplied with 1-1/2" waste elbow.



- NOTES:
1. Duck Bill Diaphragm.
 2. 1-1/2" Waste Elbow O.D. Plain End.
 3. Mounting S-Clip.
 4. Removable Strainer.
 5. Wall Mounting Anchors. (By Others)



Model 8947 Waterless Urinal can be used to meet ADA compliancy if the rim height of the urinal is positioned 17" (432 mm) above finished floor. Compliance is subject to the interpretation and requirements of local code authority. **Please check your local ADA regulations.**

Neo-Metro assumes no responsibility for use of void or suspended data. All dimensions are nominal and subject to manufacturer change without notice.

INSTALLATION INSTRUCTIONS ARE AVAILABLE