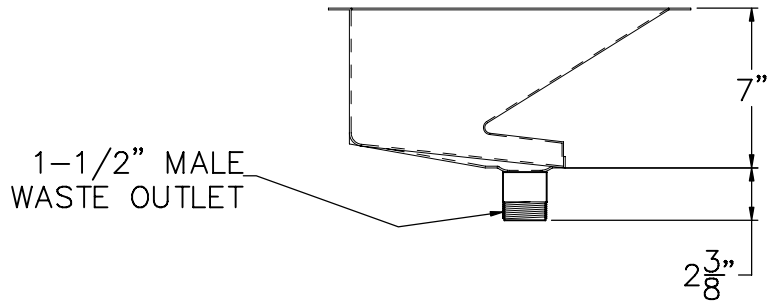
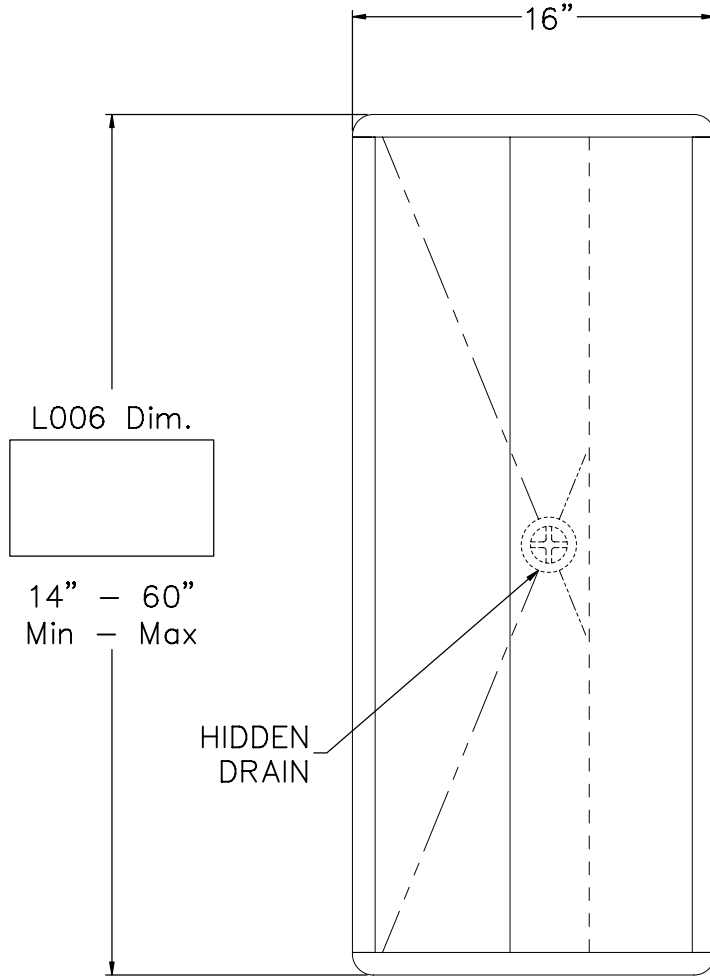


SPECIFY OPTION:

- OF OVERFLOW WASTE OULET (ONE PER DRAIN)
- HP MIRA FINISH
- L006 WIDTH DIMENSION



NEO-METRO *M3671-L006 CUSTOM WIDTH DEEP EBB BASIN

Neo-Metro Ebb basins intended to be installed in a drop-in or under-mount application. Mounting clips and mounting hardware are not provided by Neo-Metro. Fixture is modified to customer specified width (Max. 60"). Customer must specify where indicated. As width increases more drains may be added. Basin is fabricated of 14 gage type 304 stainless steel with a standard satin finish. Other finishes available and must be specified. Basin can be installed with fold facing forward or away from faucet (faucet not included). All other aspects remain the same as standard.

Refer to standard 3671 catalog sheet for further options and technical data.

APPROVAL OF THIS MODIFIED SUBMITTAL IS AUTHORIZATION FOR PRODUCTION WITH MODIFICATIONS SHOWN AND NONE OTHERS WHETHER VERBAL OR IMPLIED. NO FURTHER MODIFICATIONS PERMITTED AFTER RECEIPT OF THIS DOCUMENT BY NEO-METRO, A DIVISION OF ACORN ENGINEERING.

Approved By: _____

Date: _____

ITEM	QTY.	MODEL NO. CUSTOM WIDTH DEEP EBB BASIN	<p style="font-size: small; margin: 0;">P.O. BOX 3527 * INDUSTRY, CA 91744 * USA 800.591.9050 * 626.855.4854 * www.neo-metro.com</p>			
JOB						
LOCATION						
ARCH.						
M.E. I: \SALESENG\NEOMETRO\NEO-SUBS\LAVYS			DATE 05/30/07	REVISION	DRN. BY RMC	DWG. NO. M3671-L006

DIMENSIONS ARE SUBJECT TO MANUFACTURERS TOLERANCE AND CHANGE WITHOUT NOTICE. WE CAN ASSUME NO RESPONSIBILITY FOR USE OF SUPERSEDED OR VOID DATA. THIS PRINT IS CONFIDENTIAL AND IS LOANED FOR MUTUAL ASSISTANCE. IT IS NOT TO BE FORWARDED TO OTHER PARTIES NOR REPRINTED IN ANY FORM WITHOUT OUR WRITTEN PERMISSION.