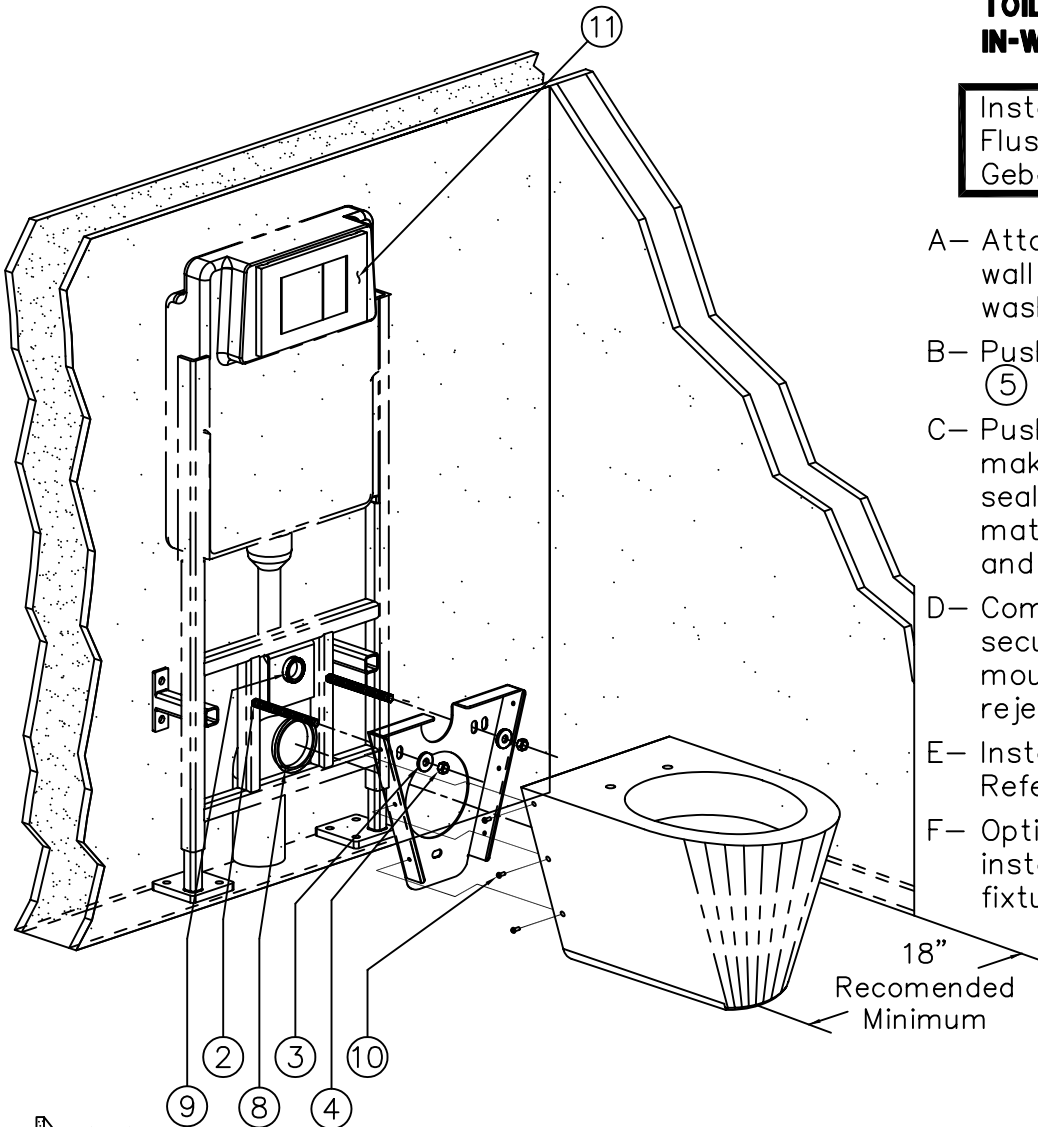
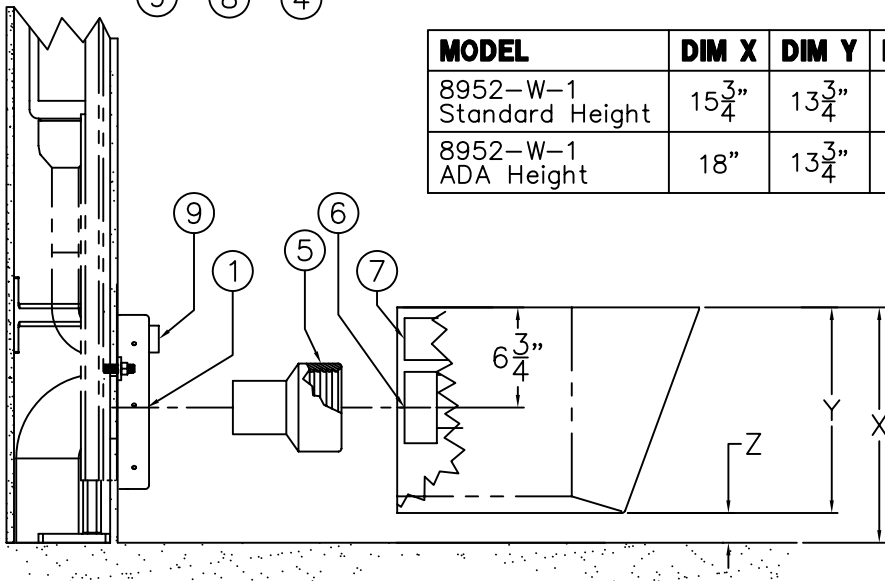


TOILET BOWL TO GEBERIT® IN-WALL FLUSHING SYSTEM:

Install the Geberit® In-Wall Flushing System per included Geberit® installation instructions.



- A- Attach mounting flange (1) to wall with mounting studs (2), washers (3) and nuts (4).
- B- Pushing firmly, slide rubber seal (5) onto toilet waste outlet (6).
- C- Push toilet bowl into place making sure the waste outlet seal (5) and flushing inlet (7) mate with discharge pipe (8) and flush inlet (9).
- D- Complete installation by securing the toilet bowl to the mounting flange (1) with center reject screws (10) included.
- E- Install Dual Flush Actuator (11). Refer to drawing #9935-023-001.
- F- Optional Toilet Seat must be installed prior to connecting fixture to flushing system.



MODEL	DIM X	DIM Y	DIM Z
8952-W-1 Standard Height	15 3/4"	13 3/4"	2"
8952-W-1 ADA Height	18"	13 3/4"	4 1/4"

Geberit® In-Wall Flushing System intended for installation on wall with standard 2" x 6" construction.

NEO-METRO® P.O. BOX 3527 INDUSTRY, CA. 91744 (800) 591-9050 * (626) 855-4854 FAX (626) 937-4725 WWW.NEO-METRO.COM	TITLE	
	MINILOU COMPACT TOILET WALL OUTLET -CAT. #8952-W-1	
MANUFACTURE DATE	DATE ISSUED	DRAWING NUMBER
JUNE 06	11/08/06	9935-022-001
TO PRESENT	DATE REVISED	
	06/07/07	