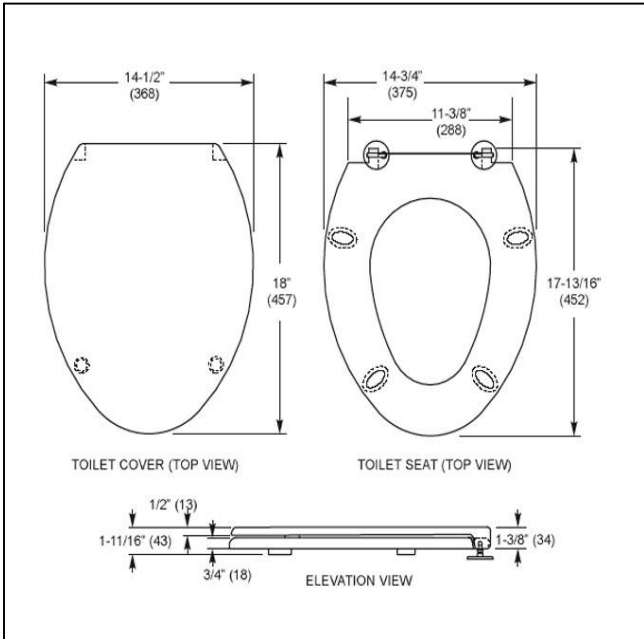
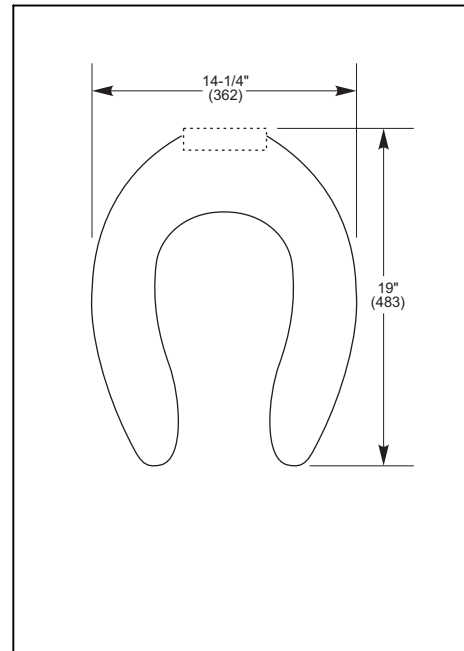




Product Specification



HS-CSF / HS-CMF



HS-CB / HS-CG

Product Order Specification

Finish Detail	Model#	Style	Selection
Mira Finish	HS-CMF	ABS Plastic Cover + Seat (Chrome Plated) 14.50 x 18.00 x 1.69 inches	
Satin Finish	HS-CSF	ABS Plastic Cover + Seat 14.50 x 18.00 x 1.69 inches	
Commercial Open Front Black	HS-CB	ABS Plastic Seat for commercial application (without lid) 14.25 x 19.00 inches	
Commercial Open Front Thunder Grey	HS-CG	ABS Plastic Seat for commercial application (without lid) 14.25 x 19.00 inches	

Company:	Date:
Project Name:	
Purchase Order #	
Authorized Signature:	Signee's Name Written Clearly :
Comments:	