

Contour Toilet Wall Supply



Model 8955-W-1
Contour Toilet
Wall Supply, Off-Floor

All toilets specified on this sheet are configured with a 1-1/2" NPTE back spud inlet for a wall supply (concealed) flush valve (flush valve sold separately).

Commercial SIPHON JET Toilet
Requiring Commercial Water Supply Line to Operate. Water Flow Pressure 35 psi (2.41 bars); Water Supply Line 1" (25 mm).

- **WALL SUPPLY (Concealed) Flush Valve Configuration**
Compatible Flush Valve (Sold Separately) Releases 1.6 Gallons (6 Liters) per Flush. Top Supply Flush Valve configurations are also available.
- **16-Gage STAINLESS STEEL CONSTRUCTION**
Satin Finish is Standard; Also Available in Mira Finish (High Polish)
- **Mounting/Wall Waste Configurations:**
(-1) Off-Floor, Wall Waste
(-2) On-Floor, Wall Waste
(-3) On-Floor, Floor Waste
- **ELONGATED TOILET BOWL**
Punched for Toilet Seat with 5-1/2" (140 mm) Mounting Centers (Seat Sold Separately)
- **ADA Compliant Units are Available**
- **ADA and ANSI A112.19.2 Compliant**



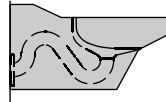
Stainless Steel Toilets are Recyclable 

Neo-Metro is a Member of U.S. Green Building Council



DESCRIPTION	MODEL/OPTION #
CONFIGURATION - Required Selection	INIT.

WALL SUPPLY COMMERCIAL CONTOUR TOILET



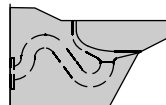
Off-Floor, Wall Waste Configuration

- Satin Finish** (Standard) 8955-W-1
- Mira Finish** (High Polish) 8955-W-1-HP



ADA COMPLIANT

Properly mounted 8955-W-1 toilets are ADA Compliant. ADA compliance is subject to the interpretation and requirements of local code authority. Please check your local ADA regulations.



On-Floor, Wall Waste Configuration

- Satin Finish** (Standard) 8955-W-2
- Mira Finish** (High Polish) 8955-W-2-HP



ADA COMPLIANT (3" taller toilet for compliance)

- Satin Finish** (Standard) 8955-ADA-W-2
- Mira Finish** (High Polish) 8955-ADA-W-2-HP



On-Floor, Floor Waste Configuration

- Satin Finish Toilet** 8955-W-3
- Mira Finish Toilet** 8955-W-3-HP



ADA COMPLIANT (3" taller toilet for compliance)

- Satin Finish** (Standard) 8955-ADA-W-3
- Mira Finish** (High Polish) 8955-ADA-W-3-HP



APPROVAL FOR MANUFACTURE

COMPANY: _____

PROJECT NAME: _____

SIGNEE'S NAME WRITTEN CLEARLY: _____

DATE _____

AUTHORIZED SIGNATURE: _____



Contour Toilet Wall Supply



Contour Toilet Wall Supply

Model 8955-W-2
On-Floor, Wall Waste

Model 8955-W-3
On-Floor, Floor Waste



All toilets specified on this sheet are configured with a 1-1/2" NPTE back spud inlet for a wall supply (concealed) flush valve (flush valve sold separately).

Orders will not be processed until specification sheets are complete and signed. NO CANCELLATIONS.

DESCRIPTION	MODEL/OPTION #
FLUSH VALVE SELECTION	
INIT.	
Wall Supply (Concealed) Flush Valves Requires commercial water supply to operate; Water flow pressure 35 psi (2.41 bars); Water supply line is 1" (25 mm) diameter; Flush valve releases 1.6 gallons (6 liters) per flush; flush valve sold separately from fixture.	
<input type="checkbox"/> Manual Flush	FV1.6-W
<input type="checkbox"/> Hydraulic ADA Compliant	FV1.6-W-H
<input type="checkbox"/> Electronic Sensor Valve requires 120 VAC, 60Hz Plug-in Power Supply	FV1.6-W-SO
CONSTRUCTION AND PLUMBING INFORMATION	
Must Specify: Wall Thickness _____	
Must Specify: Wall Type _____ (Eg. drywall with tile, concrete, etc)	

Add (+)

Flush Valve Accessories on the next page



Contour Toilet Wall Supply



Contour Toilet Wall Supply

Model 8955-W-2
On-Floor, Wall Waste

Model 8955-W-3
On-Floor, Floor Waste



All toilets specified on this sheet are configured with a 1-1/2" NPTE back spud inlet for a wall supply (concealed) flush valve (flush valve sold separately).

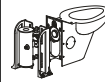
Orders will not be processed until specification sheets are complete and signed. NO CANCELLATIONS.

DESCRIPTION	MODEL/OPTION #
-------------	----------------

Add (+)

ACCESSORIES

INIT.



In-Wall Mounting Carrier Assembly

2954-720-000

Adds more stability to off-floor fixtures; includes left, right legs and waste connection for ease of installation.

NOTE: INSTALLATION ON CONCRETE FLOORS RECOMMENDED. FOR OTHER FLOOR TYPES CONTACT CARRIER MANUFACTURER.

FOR USE WITH 8955, OFF-FLOOR ONLY.



ABS Plastic Elongated Toilet Seats with Open Front

- Black** HS-CB
- Thunder Grey** HS-CG



ABS Plastic Elongated Toilet Seats with Cover

- Satin** HS-CSF
Chrome Plated
- Mira (High Polish)** HS-CMF
Chrome Plated
- Black** HS-RB
(with Soft-Close Hinges)
- Thunder Grey** HS-RG
(with Soft-Close Hinges)



14" x 14" Flush Valve Access Panel

- Satin** 4080-000-001
with Push Button Hole
- Mira (High Polish)** 4080-030-001
with Push Button Hole
- Satin** 4080-035-001
No Hole
- Mira (High Polish)** 4080-036-001
No Hole



10" x 10" Flush Valve Access Door

- Satin** 0530-135-001
- Mira (High Polish)** 0530-118-001



12" x 12" Tile-In Flush Valve Access Door


- Satin** 0530-140-001

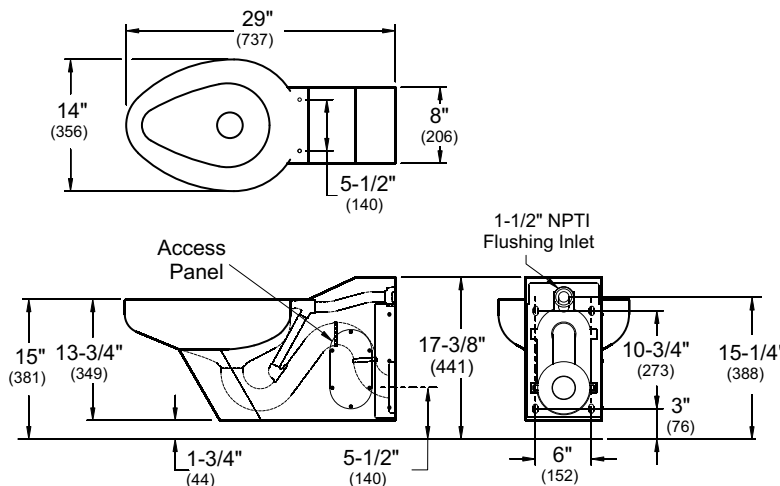
Contour Toilet Wall Supply

PRODUCT Specification . . . The Contour Toilet is a commercial-grade, siphon-jet toilet, manufactured of 16-gage, type 304 Satin Finish Stainless Steel (Standard). Mira Finish (High Polish) is optionally available. The fixture shall operate with a wall supply (concealed) flush valve (sold separately). The toilet bowl is punched for an elongated seat with 5-1/2" (140 mm) mounting centers (sold separately). The fixture meets ASME/ANSI A112.19.2. The trapway can pass a 2-1/8" (54 mm) ball. Off-Floor toilets (8955-W-1 series) are manufactured with a 13-3/4" (336 mm) overall height but are mounted 1-3/4" (44 mm) off of the floor. On-Floor toilets (both 8955-W-2 and 8955-W-3 series) are manufactured with a seat height of 15" (381 mm) and are wall mounted with the base resting on the floor.

480 mm) above finished floor. An ADA compliant flush valve is available (sold separately) when specified. ADA compliance is subject to the interpretation and requirements of the local code authority.

PLUMBING Specifications . . . The Contour Toilet with Wall Supply is configured for a concealed flush valve and includes a 1-1/2" NPTI flushing inlet connection at the rear of toilet housing. The concealed flush valve utilizes a commercial 1" (25 mm) water supply line. Wall waste toilets (8955-W-1 and 8955-W-2) shall be mounted on the wall with a wall waste rough-in 5-1/2" (140mm) above finished floor. The floor waste toilet (8955-W-3) shall be mounted to finished wall with a floor waste 4-1/4" (108 mm) from finished wall.

 The flood rim of ADA On-Floor models fixtures are 18" (430 mm) above finished floor. Off-Floor models may meet compliance if the unit is mounted with a seat height between 17" to 19" (430 mm -



8955-W-1
(Wall Supply Toilet -
On-Floor, Wall Waste)



ADA COMPLIANCY

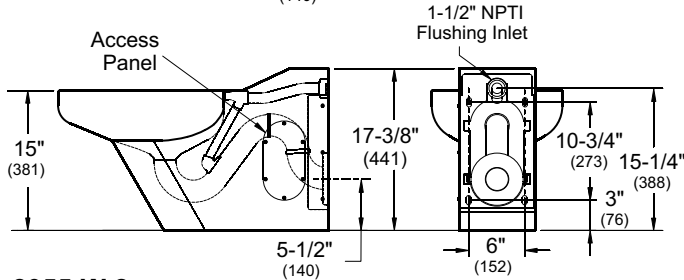
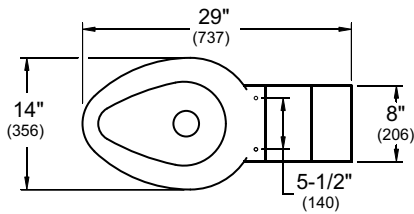
Model 8955-T-1 toilet can be used to meet ADA compliance if the seat height of the toilet is raised to 17" to 19" (430 mm - 480 mm) above finished floor. Compliance is subject to the interpretation and requirements of local code authority. Please check your local ADA regulations.



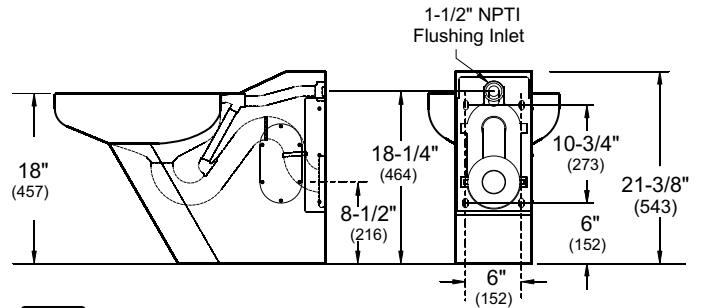
Neo-Metro assumes no responsibility for use of void or suspended data. All dimensions are nominal and subject to manufacturer change without notice.


INSTALLATION INSTRUCTIONS ARE AVAILABLE

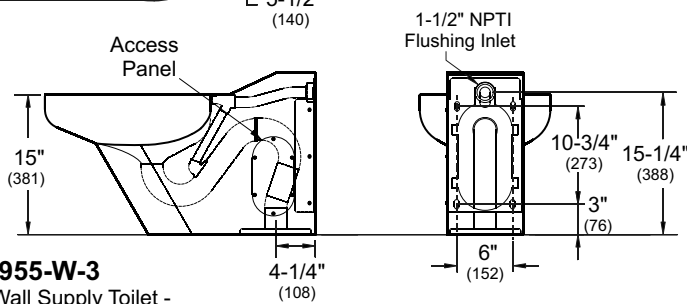
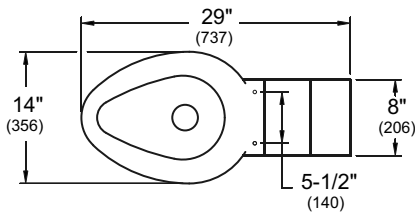
Contour Toilet Wall Supply



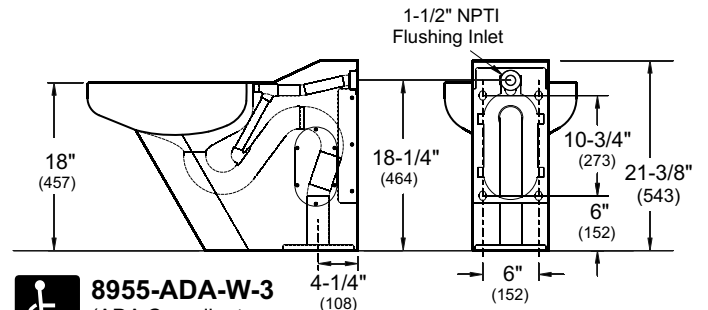
8955-W-2
(Wall Supply Toilet -
On-Floor, Wall Waste)



 **8955-ADA-W-2**
(ADA Compliant
Wall Supply Toilet -
On-Floor, Wall Waste)



8955-W-3
(Wall Supply Toilet -
On-Floor, Floor Waste)



 **8955-ADA-W-3**
(ADA Compliant
Wall Supply Toilet -
On-Floor, Floor Waste)

Neo-Metro assumes no responsibility for use of void or suspended data. All dimensions are nominal and subject to manufacturer change without notice.

INSTALLATION INSTRUCTIONS ARE AVAILABLE