


FEATURES

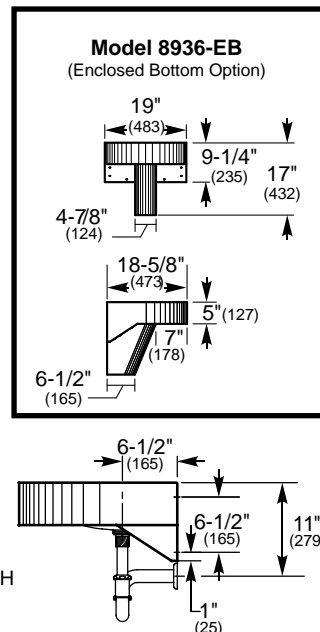
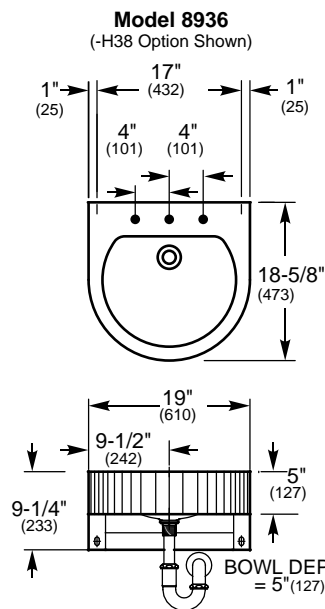
- **D-SHAPED WALL HUNG WASH BASIN**
- **Heavy 16-Gage Stainless Steel Construction**
- **Integral Bowl Design**
- **Satin Finish is Standard; Optional Mira High Polish Finish Stainless Steel Also Available.**
- **Stainless Steel is a Recyclable Metal.** 
- **Enclosed Bottom Configuration Available.**

NOTE: Faucet not Included.
Faucet Punching Must be Specified.


Model 8936
(With NO Side Shelves)






Model 8936-EB
(With Enclosed Bottom)



ORDERING OPTIONS

- | | |
|-------------------------------------|--|
| <input type="checkbox"/> 8936 | NEO-BASIN (with NO Side Shelves)
Satin Finish Stainless Steel |
| <input type="checkbox"/> 8936-HP | NEO-BASIN (with NO Side Shelves)
Mira Finish Stainless Steel |
| <input type="checkbox"/> 8936-EB | NEO-BASIN with Enclosed Bottom
Entire Unit is Satin Finish Stainless Steel |
| <input type="checkbox"/> 8936-HP-EB | NEO-BASIN with Enclosed Bottom
Entire Unit is Mira Finish Stainless Steel |
| <input type="checkbox"/> - OF | Option - Overflow Outlet  |

All basins must be specified for faucet punching on deck.
Faucets not included. .

- | | | |
|--|--|---|
| <input type="checkbox"/> - H1
 Single Hole | <input type="checkbox"/> - H38
 8" (203mm)
Center Set | <input type="checkbox"/> - H0
 Less Punching
(Will use wall
mounted faucet) |
|--|--|---|

INSTALLATION INSTRUCTIONS ARE AVAILABLE.

Product Specifications . . . Neo-Basin shall be manufactured entirely out of 16-gage, Type 304 Satin Finish stainless steel, seam welded construction. A Mira (High Polish) Stainless Steel fixture is also available. The Neo-Basin features a patented* integral 'D' Bowl design. The basins shall have a 1-1/2" (38 mm) diameter drain opening for a standard drain fitting. A 1-1/2" (38 mm) P-trap is provided. A back cover is provided to conceal mounting supports. The basin is available with a bottom enclosure matching the finish of the ordered basin.

Plumbing Specification . . . All Neo-Basin are wall mounted. The deck can be factory punched with either single hole or 8" (203 mm) center set (customer must specify at time of ordering). Holes punched for faucets are 1-5/16" (33 mm) diameter. Faucet is not included. P-trap, drain and hardware kit included only for customers in the U.S.A. The basin can be manufactured with an overflow outlet.

* U.S. Design Patent 455200

Approved for Manufacturing

Company	Project Name	Authorized Signature	Name Written Clearly	Date
---------	--------------	----------------------	----------------------	------

Neo-Metro assumes no responsibility for use of void or suspended data. All dimensions are nominal and subject to manufacturer change without notice. © 2005 NEO-METRO®, A Division of Acorn Engineering Company. Please visit www.neo-metro.com for most current specifications.

TOLL FREE 800-591-9050 • WEB SITE www.neo-metro.com

NEO-METRO® • P.O. Box 3527 • City of Industry, CA 91744 U.S.A. • Local Phone 626-855-4854 • Fax 626-937-4725

TS 8936
PAGE 1 OF 1

L1000577 (11/15/04)