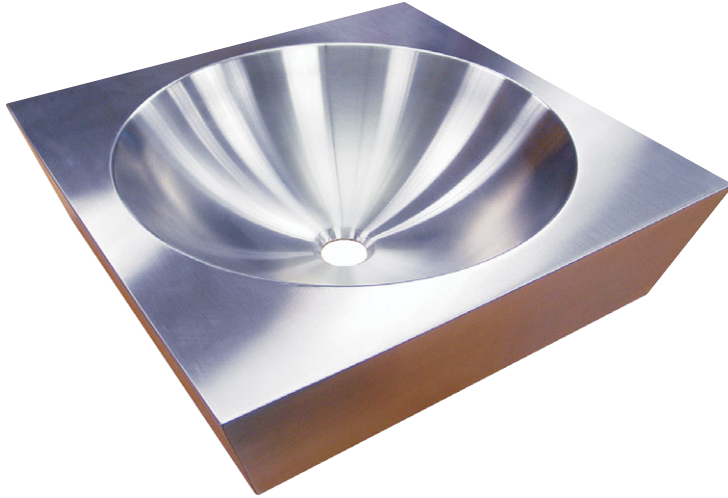


Tazón Vessel Basin



* U.S. Design Patent D546,930

Model Shown:
Model 8933-18 - Large Size Vessel with Satin Finish

- **STYLISTIC SQUARE COUNTERTOP VESSEL WITH ROUND INNER BOWL AND SLEEK TAPERED SIDES (Patented Design)**
- **18-Gage Stainless Steel Construction**
- **Satin Finish (Entire Unit) is Standard**
 Optional finishes includes Mira High Polish, White Gloss and Black Matte Powdercoat
- **Two Sizes are Available - Large/Small**
- **NOTE: Faucet, Drain, P-trap and Countertop NOT included.**

DESCRIPTION	MODEL/OPTION #
LARGE BASIN	
 Overall Dimension: 18-1/2" (470 mm) Square Base Dimension: 15-9/16" (470 mm) Square Height: 5" (127 mm) Inner Bowl Diameter: 15-3/4" (470 mm)	INIT.
<input type="checkbox"/> Satin Finish Entire Fixture is in Satin Finish (STANDARD)	8933-18
<input type="checkbox"/> Mira Finish Rim Satin Finish Fixture with Mira High Polish Rim	8933-18-HPR
<input type="checkbox"/> Mira Finish - All Entire Fixture is in Mira High Polish Finish	8933-18-HPA
<input type="checkbox"/> White Gloss Powdercoat Entire Fixture in White Gloss Powdercoat	8933-18-EG-10
<input type="checkbox"/> Black Matte Powdercoat Entire Fixture in Black Matte Powdercoat	8930-18-EG-22

DESCRIPTION	MODEL/OPTION #
SMALL BASIN	
 Overall Dimension: 15-1/2" (394 mm) Square Base Dimension: 11" (279 mm) Square Height: 5" (127 mm) Inner Bowl Diameter: 12" (305 mm)	INIT.
<input type="checkbox"/> Satin Finish Entire Fixture is in Satin Finish (STANDARD)	8933-15
<input type="checkbox"/> Mira Finish Rim Satin Finish Fixture with Mira High Polish Rim	8933-15-HPR
<input type="checkbox"/> Mira Finish - All Entire Fixture is in Mira High Polish Finish	8933-15-HPA
<input type="checkbox"/> White Gloss Powdercoat Entire Fixture in White Gloss Powdercoat	8933-15-EG-10
<input type="checkbox"/> Black Matte Powdercoat Entire Fixture in Black Matte Powdercoat	8930-15-EG-22



APPROVAL FOR MANUFACTURE

COMPANY: _____

PROJECT NAME: _____

SIGNEE'S NAME WRITTEN CLEARLY: _____

DATE _____

AUTHORIZED SIGNATURE: _____



Neo-Metro is a Member of U.S. Green Building Council



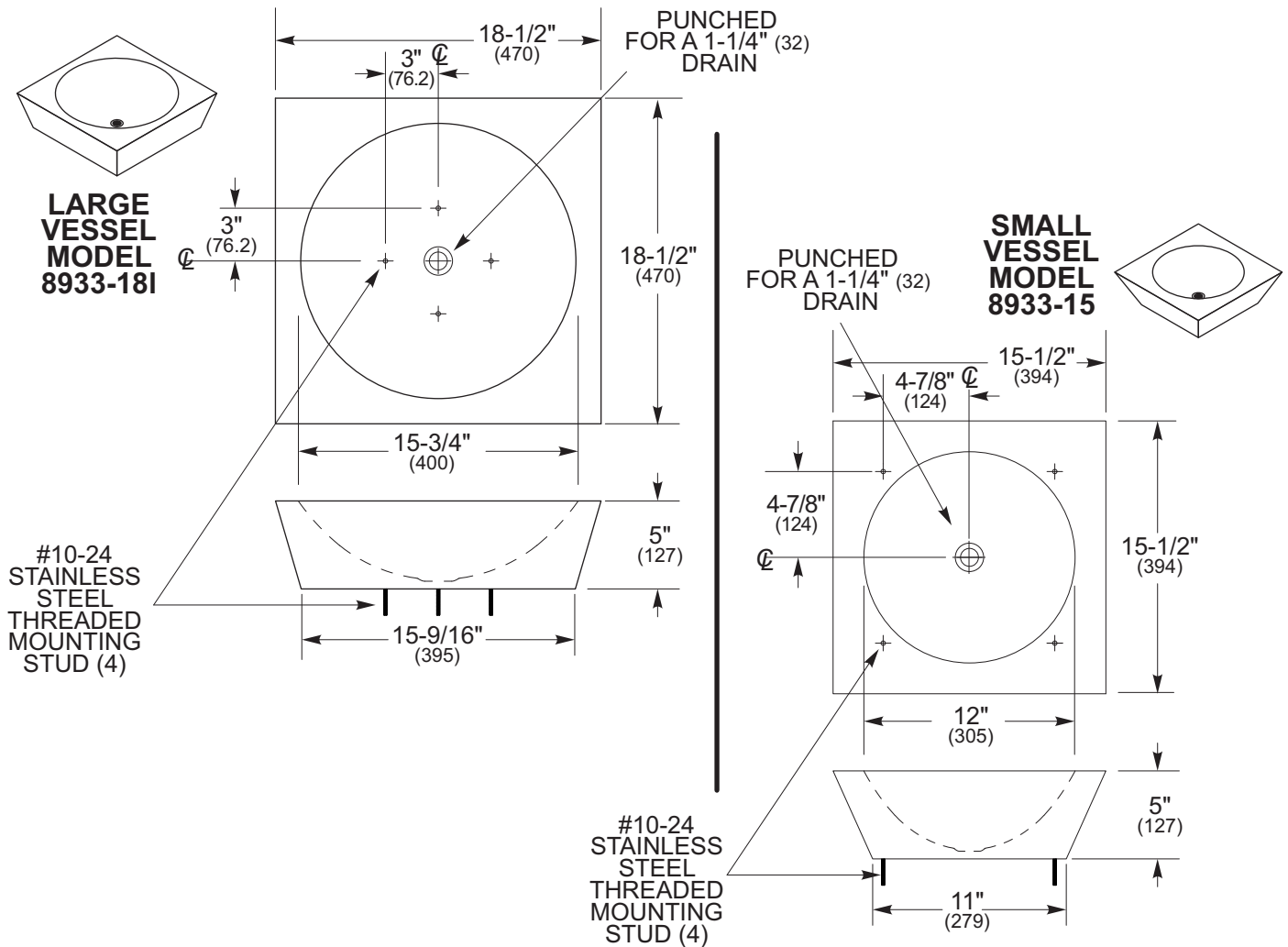
Tazón Vessel Basin

PRODUCT Specification . . . Tazón Vessel is manufactured of 18 gage Type 304 stainless steel. The square vessel features an integrated round bowl. The sides are trapezoid shaped and tapers to a smaller dimension base. The ornamental design is patented (U.S. Design Patent D546,930).

Two sizes are available. The large vessel's overall dimensions are 18-1/2" x 18-1/2" x 5" (470 x 470 x 127 mm). The round bowl measures 15-3/4" (400 mm) diameter. The small vessel's overall dimensions are 15-1/2" x 15-1/2" x 5" (394 x 394 x 127 mm). The round bowl measures 12" (305 mm) diameter.

Satin Finish is standard. Mira High Polish (just the rim or the entire vessel), White Gloss or Black Matte Powdercoating can optionally be applied.

PLUMBING Specification . . . Vessel rests on top of a counter (not included) and is attached by way of a mounting ring on the underside of the counter that marries to connection studs and is secured in place with wing nuts. The basin features a centered 1-1/4" (32 mm) diameter opening for a drain (drain and P-trap not included).



Neo-Metro assumes no responsibility for use of void or suspended data. All dimensions are nominal and subject to manufacturer change without notice.

INSTALLATION INSTRUCTIONS ARE AVAILABLE