

METROPOLIS II Basin

FEATURES

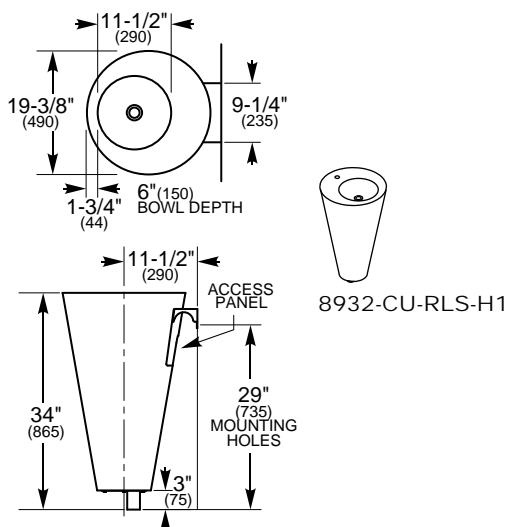
- ONE-PIECE CONE SHAPED PEDESTAL WASH BASIN
- Heavy 16-Gage Finished Copper Construction
- Copper is a Recyclable Metal. 
- 11-1/2" (290 mm) Integral Inner Bowl Design
- Concealed Access Panel

NOTE: Faucet not Included.
Faucet Punching Must be Specified



Model
8932-CU-RLS-H1
Finished Copper
Metropolis II Basin
11-1/2" (290 mm) Bowl
Punched for Single Hole
Faucet (Not Included)

8932-CU-RLS-H0
11-1/2" Inner Bowl
"Less Faucet Punching" Configuration Shown





INSTALLATION INSTRUCTIONS ARE AVAILABLE.

ORDERING OPTIONS

- | | |
|--------------------------------------|--|
| <input type="checkbox"/> 8932-CU-RLS | Metropolis II Basin
Finished Copper 11-1/2" (290 mm) Bowl |
| <input type="checkbox"/> - DMJ-BAT | Sensor Operated J-Spout (Battery Powered) |



If customer desire to install his/her own faucet punching must be specified for the deck .

- | | |
|---|---|
| <input type="checkbox"/> - H1 | <input type="checkbox"/> - H0 |
|  Single Hole |  Less Punching
(will use wall mounted faucet) |

- OF Option - Overflow Outlet



FINISHED COPPER FIXTURES are made of 16-gage copper that goes through an extensive oxidation process. A chip resistant, clear matte, powder coating is applied to the entire unit in order to seal the patina process. This surface treatment is a unique art form. Color variations naturally occur. **Neo-Metro Finished Copper samples are available upon request.**

PRODUCT Specification . . . Cone shape pedestal basin is manufactured entirely of Neo-Metro's Finished Copper, seam welded construction. Basin shall have a 1-1/2" (38 mm) diameter drain opening for standard drain fitting. Basin features a 11-1/2" (290 mm) integral inner bowl. Several faucet mounting configurations are available with this option. An optional battery-powered, sensor-operated copper J-spout is available. Customer may supply his/her own faucet but must specify either -H1 single hole or -H0 less faucet punching.

PLUMBING Specification . . . Basin shall be wall mounted and supported on floor. Concealed rear panel provides access to drain and p-trap. Basin can be factory punched with single hole (customer must specify at time of ordering). Holes punched for faucets are 1-5/16" (33 mm) diameter. P-trap, drain and hardware kit included only for customers in the U.S.A. The basin can be manufactured with an overflow outlet.

Approved for Manufacturing

All dimensions are nominal and subject to manufacturer's change without notice.

Company	Project Name	Authorized Signature	Name Written Clearly	Date
---------	--------------	----------------------	----------------------	------

Neo-Metro assumes no responsibility for use of void or suspended data. All dimensions are nominal and subject to manufacturer change without notice. © 2005 NEO-METRO®, A Division of Acorn Engineering Company. Please visit www.neo-metro.com for most current specifications.

TOLL FREE 800-591-9050 • WEB SITE www.neo-metro.com

NEO-METRO® • P.O. Box 3527 • City of Industry, CA 91744 U.S.A. • Local Phone 626-855-4854 • Fax 626-937-4725

TS 8932
PAGE 1 OF 1

L1000957 (2/8/06)