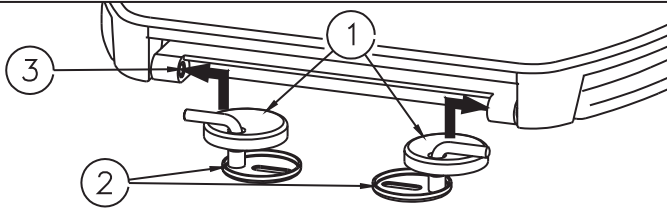


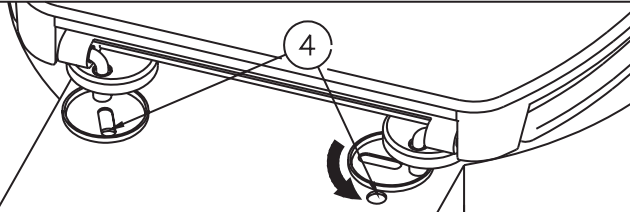
NOTES:

- 1- USE 1/4"-20 PAN HEAD SCREWS PROVIDED WITH TOILET HARDWARE PACKAGE TO INSTALL TOILET SEAT FROM TOP INTO TAPPINGS ON TOILET.
- 2- TOILET SEATS PURCHASED BY OTHERS MUST HAVE TOP MOUNTING CAPABILITIES AND MAY REQUIRE A SPECIAL TYPE OF 1/4"-20 SCREW TO BE PROVIDED BY OTHERS.

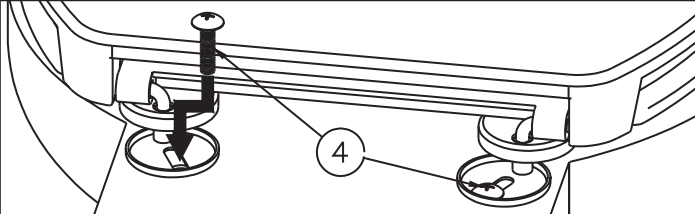
INSTALLATION INSTRUCTIONS FOR TOILET SEAT FROM NEO-METRO:



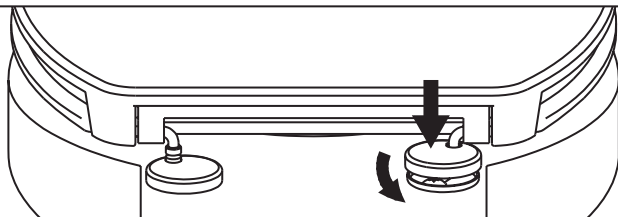
A- MAKE SURE COVERS ① ARE ASSEMBLED TO TOILET ANCHORING PIVOT ASSEMBLIES ② AS SHOWN BEFORE INSERTING ROD OF PIVOT ASSEMBLIES ② INTO TOILET SEAT HINGE HOLES ③.



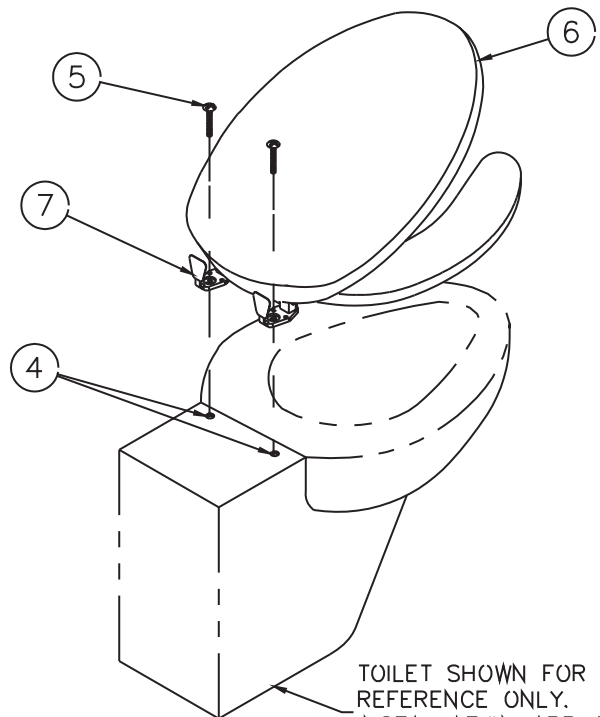
B- PLACE TOILET SEAT IN THE DESIRED LOCATION RELATIVE TO TOILET. ROTATE BASE OF PIVOT ASSEMBLIES ② TO LINE UP SLOTS WITH THE TOILET MOUNTING HOLES ④.



C- SECURE PIVOT ASSEMBLIES ② TO TOILET HOUSING USING 1/4\"-20 SCREWS ⑤ PROVIDED.



D- FIRMLY PRESS COVERS ① DOWN ONTO PIVOT ASSEMBLIES ②.



TOILET SHOWN FOR REFERENCE ONLY. INSTALLATION APPLIES TO ALL MODELS.

INSTALLATION INSTRUCTIONS FOR TOILET SEAT BY OTHERS:

- A- INSTALLER SHOULD MAKE CERTAIN THAT THE TOILET SEAT MOUNTING SCREWS ⑤ ARE 1/4\"-20 THREAD (SEE NOTE).
- B- ALIGN THE TOILET SEAT ⑥ SO THAT THE TWO HOLES ON THE SEAT HINGES ⑦ ARE LINED UP WITH THE TOILET MOUNTING HOLES ④.
- C- SCREW IN THE TWO SCREWS ⑤ THAT ARE APPROPRIATE (SEE NOTE) TO FASTEN THE TOILET SEAT TO THE HOUSING.

NEO-METRO
P.O. BOX 3527 • CITY OF INDUSTRY, CA 91744 USA
800-591-9050 • 626-855-4854 • www.neo-metro.com

TITLE **NEO-METRO TOILET SEAT INSTALLATION**

MANUFACTURE DATE
SEPTEMBER 1999
TO PRESENT

DATE ISSUED
02/07/00
DATE REVISED
01/07/04

DRAWING NUMBER
9935-040-001