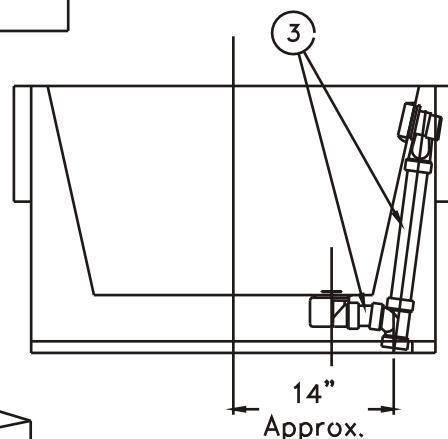
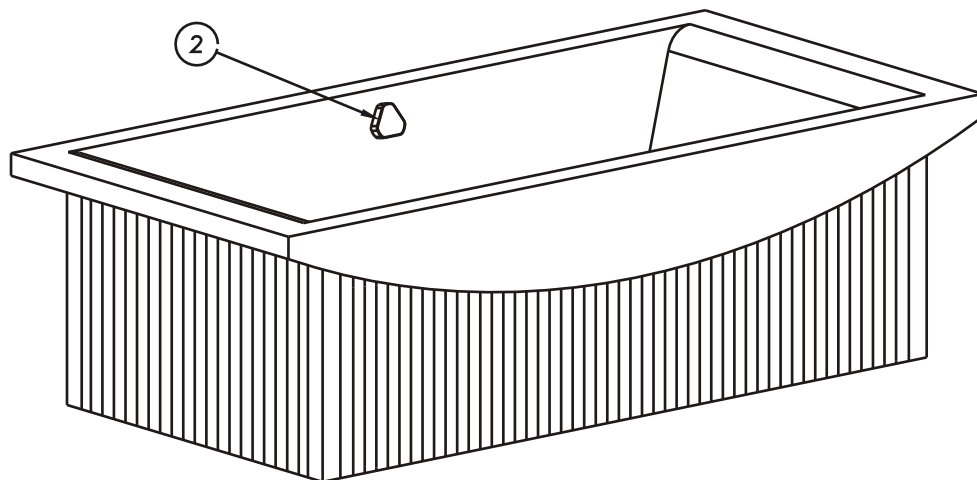


TOP VIEW



SECTION A-A



INSTALLATION INSTRUCTIONS:

A- Rough-in for waste outlet ① per drain manufacturer's instructions. Waste outlet at bottom of tee is at an angle. Allow for this angle during rough-in. Flexible connector recommended.

B- Assemble overflow knob ② and components using piping ③ by others.
 C- Set fixture in place making sure waste outlet ① is in line with rough-in.
 D- Make up appropriate waste connection.

NEO-METRO P.O. BOX 3527 • CITY OF INDUSTRY, CA 91744 USA 800-591-9050 • 626-855-4854 • www.neo-metro.com	TITLE NEO-METRO CERINE TUB MODEL # 8998		
	MANUFACTURE DATE JANUARY 2003 TO PRESENT	DATE ISSUED 02/24/03	DRAWING NUMBER 9935-209-001
		DATE REVISED 03/07/03	