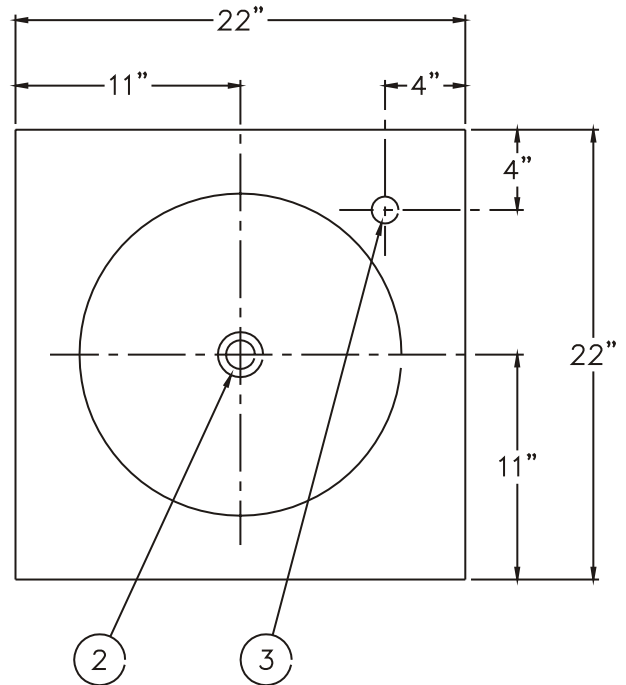
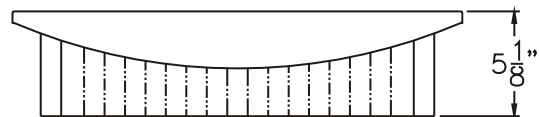
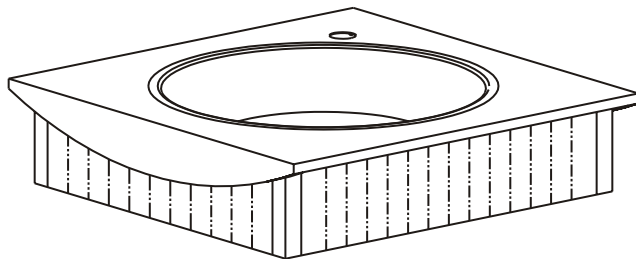


BOTTOM VIEW



TOP VIEW



FRONT VIEW

INSTALLATION INSTRUCTIONS:

- A- Rough-in for supply and waste outlet.
- B- Assemble vessel to countertop through 3/8" x 3/4" slots (1) using hardware by others.
- C- Install waste piping by others through 1-5/8" diameter punching (2).

- D- Install valve by others according to manufacturer's specifications.
- E- Install faucet assembly through 1-5/16" diameter punching (3) on deck according to faucet manufacturer's specifications.

NEO-METRO P.O. BOX 3527 • CITY OF INDUSTRY, CA 91744 USA 800-591-9050 • 626-855-4854 • www.neo-metro.com	TITLE NEO-METRO CERINE VESSEL BASIN MODEL # 8996	
	MANUFACTURE DATE JANUARY 2003 TO PRESENT	DATE ISSUED 02/24/03 DATE REVISED 09/26/03