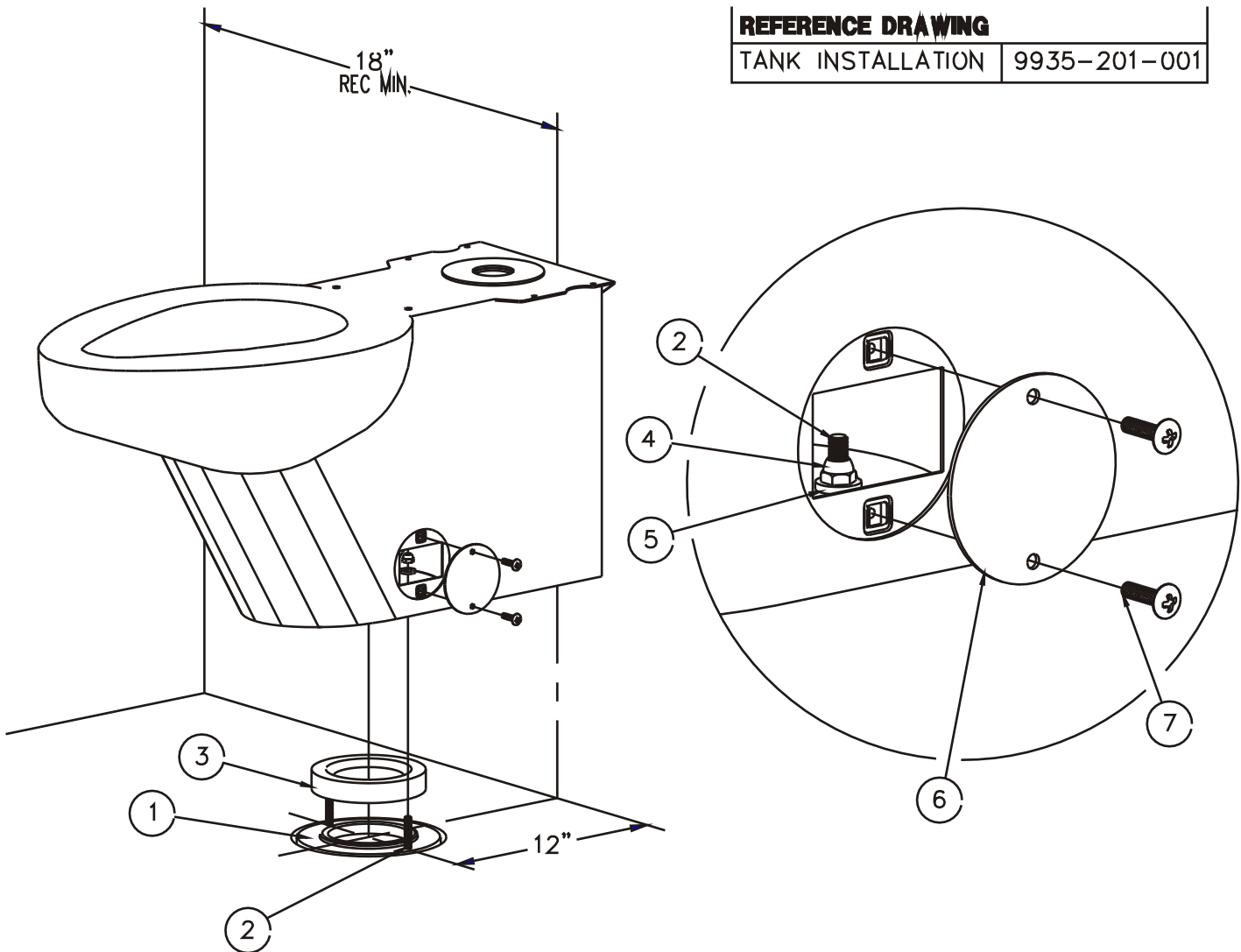


### REFERENCE DRAWING

TANK INSTALLATION	9935-201-001
-------------------	--------------



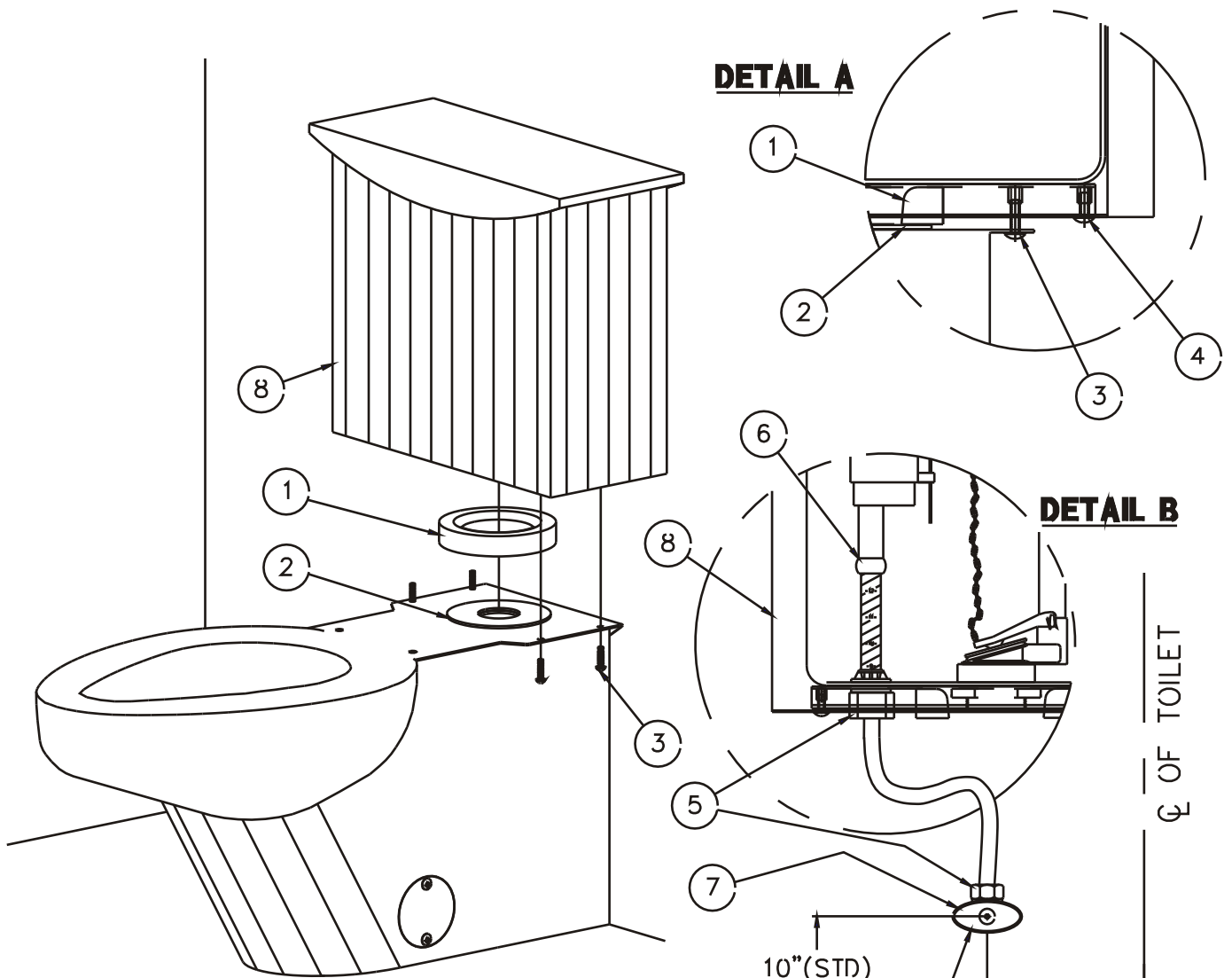
### INSTALLATION INSTRUCTIONS INSTALLING TOILET BOWL TO CLOSET FLANGE:

**NOTE:** Installation of toilet waste connection is comparable to china units.

- A- Center line of closet flange waste connection ① should be 12" from finished wall and flush with finished floor.
- B- Clean any construction debris out of floor flange, then install the mounting bolts ② into the side slots of floor flange.
- C- Place wax ring ③ centered on top of floor flange ①, pressing firmly into place.

- D- Remove access plates ⑥ from toilet housing both sides, exposing mounting holes for toilet. Lift toilet bowl and set onto wax ring ③, making sure the mounting bolts ② go thru mounting holes in base of toilet housing. apply pressure evenly all around toilet bowl to ensure proper seal.
- E- Assure toilet is perpendicular to wall, adjust if necessary. Install nuts ④ and washers ⑤, tighten firmly and replace access plate ⑥ with mounting screws ⑦.
- F- For further instructions see drawing number 9935-201-001.

<b>NEO-METRO COLLECTION</b> P.O. BOX 3527 • CITY OF INDUSTRY, CA 91744 USA 800-591-9050 • 626-855-4854 • www.neo-metro.com	<b>TITLE NEO-METRO CERNE TOILET ON FLOOR TOILET MODEL • 8995-3</b>		
	<b>MANUFACTURE DATE</b> <b>JANUARY 2003</b> <b>TO PRESENT</b>	<b>DATE ISSUED</b> <b>02/24/03</b> <b>DATE REVISED</b> <b>03/07/03</b>	<b>DRAWING NUMBER</b> <b>9935-200-001</b>



### INSTALLATION INSTRUCTIONS INSTALLING FLUSH TANK TO TOILET BOWL:

- A- For toilet bowl installation see drawing number 9935-200-001.
  - B- Place rubber gasket ① on center of flush inlet ② making sure rounded inner edge is on top.
  - C- Set cistern tank ⑧ on top of rubber gasket ①, making sure screws ③ line up with anchoring points ④ on both sides. (See Detail A)
  - D- Tighten screws ③ evenly all around until rubber gasket ① makes watertight seal (see Detail A), and tank is level and does not wobble.
  - E- After thoroughly flushing the supply line make up supply connection ⑤ to refill valve ⑥ (see Detail B), tighten 1/4 turn beyond hand tight, do not over tighten.
  - F- Turn on water supply ⑦ and check for water leaks.
- NOTE:** See appropriate Fluidmaster, Inc.® installation instructions included for proper supply seal application, and flush time adjustments.

<b>NEO-METRO COLLECTION</b> <small>P.O. BOX 3527 • CITY OF INDUSTRY, CA 91744 USA          800-591-9050 • 626-855-4854 • www.neo-metro.com</small>	<b>TITLE</b> NEO-METRO CERINE TOILET ON FLOOR TOILET MODEL # 8995-3		
	<b>MANUFACTURE DATE</b> <b>JANUARY 2003</b> <b>TO PRESENT</b>	<b>DATE ISSUED</b> <b>02/24/03</b> <b>DATE REVISED</b> <b>04/14/03</b>	<b>DRAWING NUMBER</b> <b>9935-201-001</b>