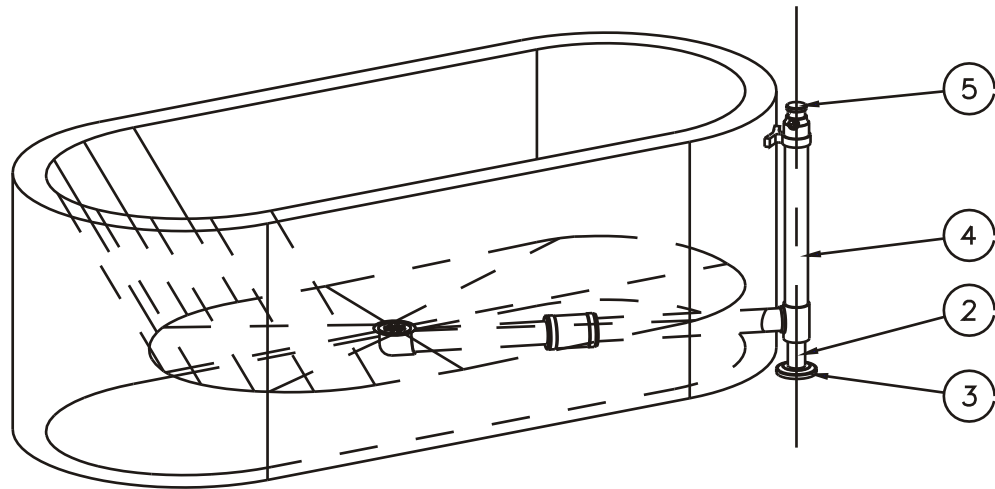


**DRAIN OPTION -AL SHOWN
FOR OPTION -AR, DRAIN OPPOSITE**



INSTALLATION INSTRUCTIONS:

A- Rough-in for 2" waste outlet (1) at 33-1/2" from center of fixture length and 12-1/8" from center of fixture width as shown. -AR unit opposite.

B- Assemble tailpiece (2) and escutcheon (3) (shipped loose) to overflow assembly (4).

C- Set fixture in place making sure overflow assembly (4) is in line with rough-in (1).
D- Make up appropriate waste connection.

NOTE: To drain tub, lift plunger (5) on overflow assembly (4).

NEO-METRO P.O. BOX 3527 • CITY OF INDUSTRY, CA 91744 USA 800-591-9050 • 626-855-4854 • www.neo-metro.com	TITLE DOUBLE WALL NEO-TUB MODEL # 8972	
	MANUFACTURE DATE MARCH 2001 TO PRESENT	DATE ISSUED 03/06/01 DATE REVISED 03/18/03