

INSTALLATION INSTRUCTIONS

NOTE:

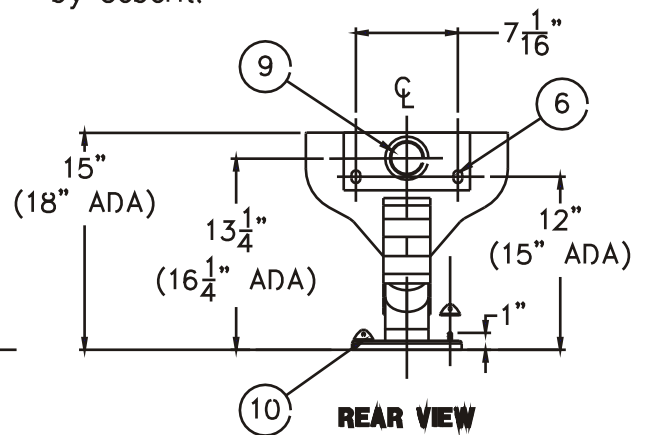
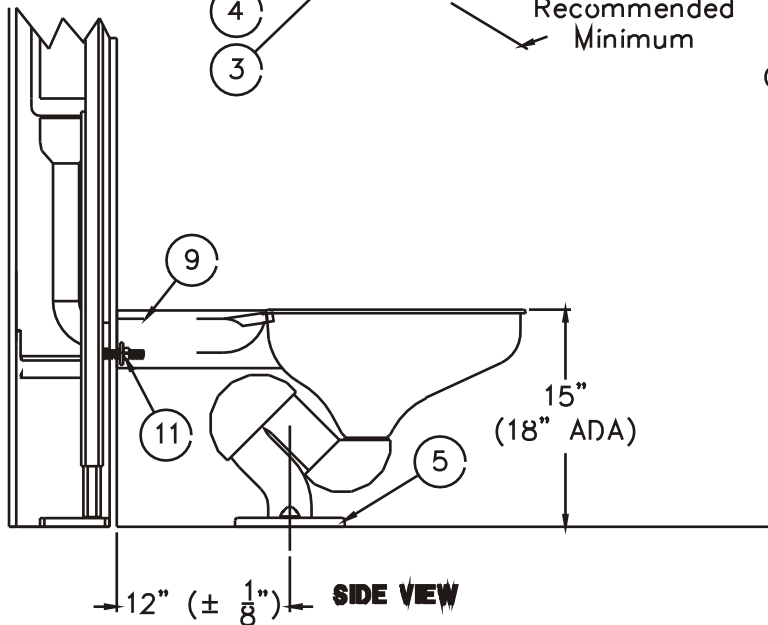
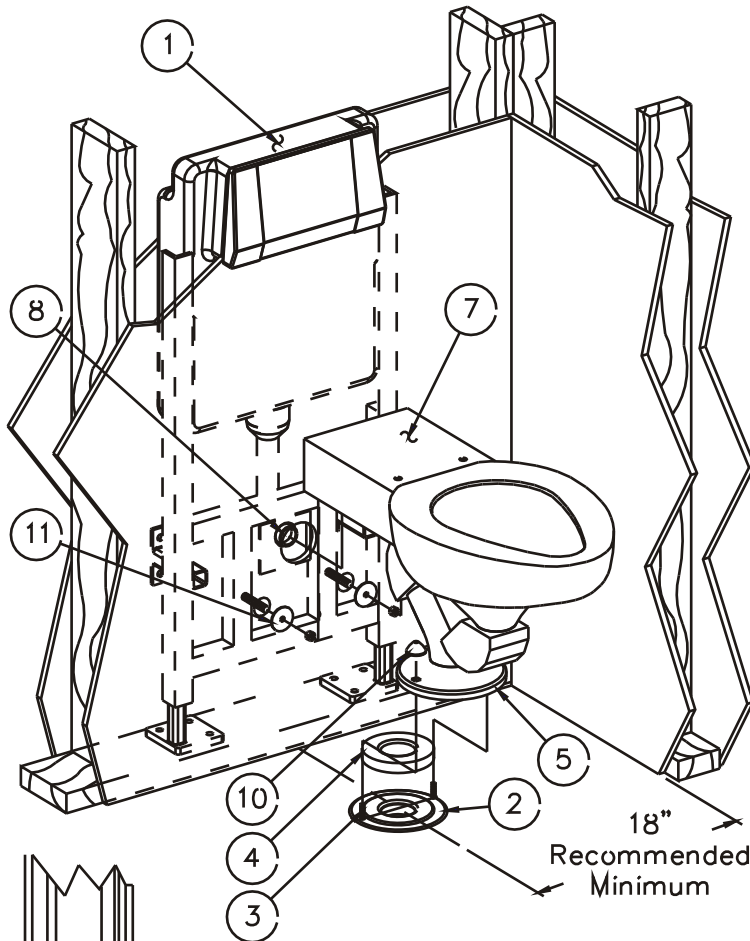
Installer Responsible For Fixture Installation Compliance With All Local Plumbing & Building Codes.

INSTALLATION INSTRUCTIONS FOR TOILET BOWL TO GEBERIT FLUSHING MECHANISM:

Install Geberit flushing mechanism/carrier ① per installation instructions provided by Geberit. Discard wall waste assembly.

NOTE: Installation of the floor toilet waste connection is comparable to china units.

- A- Centerline of floor closet flange waste connection ② should be 12" ± 1/8" from finished wall and flush with finished floor.
- B- Clean any debris out of floor flange ② then install the mounting bolts ③ into the side slots of floor flange. Bolts ③ must be no higher than 1" above finished floor level.
- C- Place wax ring ④ on top of the floor flange ② pressing firmly into place.
- D- Lift toilet bowl and set onto wax ring ④ ensuring that the flange mounting bolts ③ go thru the mounting holes in base of toilet housing ⑤.
- E- Ensure toilet is perpendicular to wall. Studs from carrier must go into slots ⑥ of flush inlet box ⑦ while the carrier flush inlet ⑧ must insert into the toilet flush inlet ⑨.
- F- Apply pressure evenly all around toilet to ensure a proper seal. Anchor base to floor flange with nuts ⑩ provided.
- G- Anchor toilet flush inlet box ⑦ to Geberit flushing mechanism/carrier with studs, washers and nuts ⑪ provided by Geberit.



NEO-METRO
P.O. BOX 3527 • CITY OF INDUSTRY, CA 91744 USA
800-591-9050 • 626-855-4854 • www.neo-metro.com

TITLE **METAL FREE STANDING TOILET ON FLOOR/FLOOR OUTLET MODEL #8957**

MANUFACTURE DATE
APRIL 2001
TO PRESENT

DATE ISSUED
07/01/02
DATE REVISED
07/22/03

DRAWING NUMBER
9935-039-001