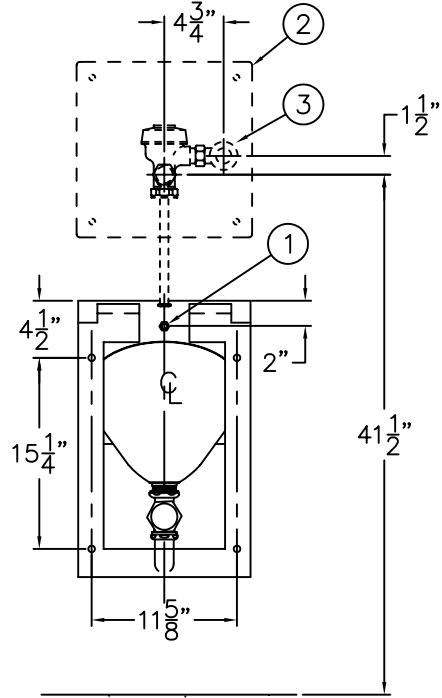
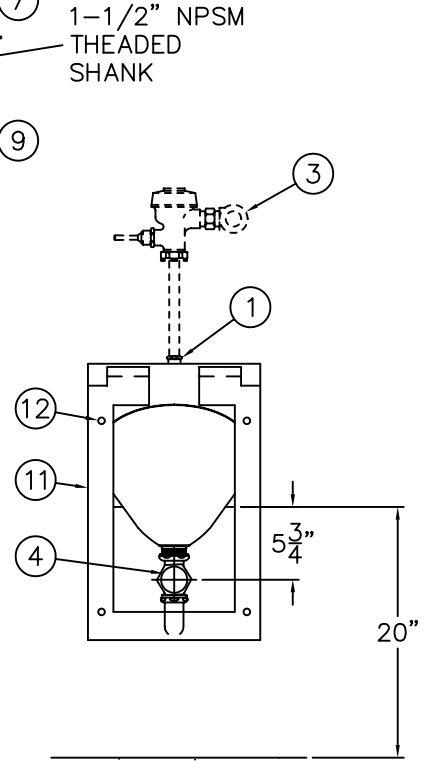
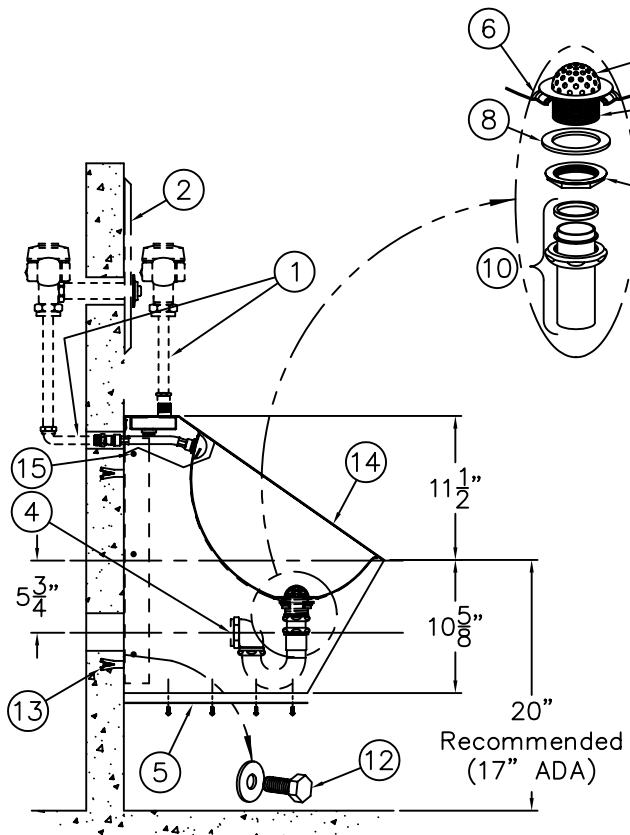
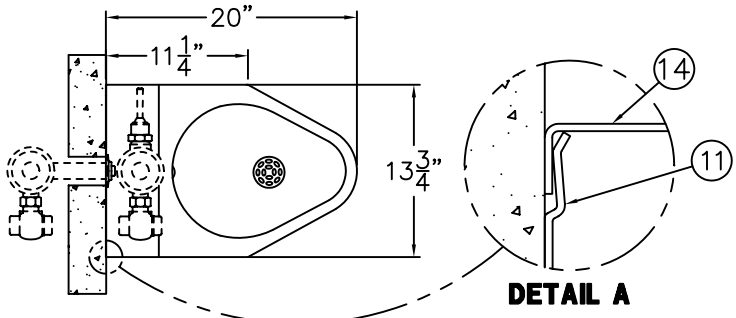


NOTE: FOR SUFFIX OPTION -ADA UNITS REFER TO ADA ACCESSIBILITY GUIDELINES FOR COMPLETE INSTALLATION REQUIREMENTS.  
 1- FLUSH VALVE MUST BE HYDRAULICALLY ACTUATED OR SUPPLIED WITH A SPECIAL HANDLE. MAX CONTROL HEIGHT IS 44" ABOVE FINISHED FLOOR.  
 2- URINAL RIM HEIGHT BECOMES 17" MAXIMUM.

**NOTE: USE ONLY APPROPRIATE UPC/cUPC CERTIFIED FLUSH VALVE FOR THE INSTALLATION OF THIS URINAL.**



**REAR VIEW (T) TOP SUPPLY**

**REAR VIEW (W) WALL SUPPLY**


**ROUGH-IN FOR THE FOLLOWING CONNECTIONS:**

- 3/4" NPT FLUSHING INLET (1) FOR -W WALL SUPPLY UNIT INCLUDES 3/4" NPT X 1/2" ADAPTER ON FLEXIBLE HOSE CONNECTION.
- OPTIONAL FLUSH VALVE ACCESS PANEL / DOOR (2) WHEN USING -W WALL SUPPLY FLUSH VALVES.
- 1" NPT FLUSH VALVE INLET (3).
- 2" WASTE FOR 1-1/2" NPTI WASTE OUTLET (4).

**INSTALLATION INSTRUCTIONS:**

- A- REMOVE ACCESS PANEL (5) & WASTE ASSEMBLY. FROM TOPSIDE: APPLY PLUMBERS PUTTY TO DRAIN OPENING (6) AND PRESS STRAINER BODY (7) INTO POSITION. FROM UNDERSIDE: FIT GASKET (8) AND TIGHTEN LOCK NUT (9) ONTO STRAINER. REMOVE EXCESS PLUMBER'S PUTTY.
- B- INSTALL TAILPIECE ASSEMBLY (10) TO STRAINER (7) & TIGHTEN SLIP NUT BY HAND.

- C- ANCHOR MOUNTING TEMPLATE (11) TO WALL USING 1/2" X 13 UNC HEX BOLTS AND WASHERS (12) PROVIDED. WALL ANCHORS (13) ARE BY OTHERS.
- D- ALIGN URINAL (14) WITH TEMPLATE (11) AND SLIDE TOP OF FIXTURE ONTO INTEGRAL S-CLIP. SEE DETAIL A. SECURE UNIT TO MOUNTING TEMPLATE USING 1/4"-20 UNC FASTENERS (15) PROVIDED.
- E- MAKE UP WASTE CONNECTION TO 1-1/2" NPTI P-TRAP (4) CONNECTION AND REPLACE ACCESS PANEL (5).
- F- FOR OPTIONAL -FV FLUSH VALVE CONNECT FLUSH VALVE AS REQUIRED FOR EXPOSED OR CONCEALED INSTALLATION PER MANUFACTURES RECOMMENDATIONS. PLUMBING ACCESS IS REQUIRED FOR MAINTENANCE AND INSTALLATION WITH -W WALL SUPPLY FIXTURES.

 <b>NEO-METRO®</b> P.O. BOX 3527 INDUSTRY, CA. 91744 (800) 591-9050 * (626) 855-4854 FAX (626) 937-4725 WWW.NEO-METRO.COM	<b>TITLE</b> CONTOUR URINAL OFF FLOOR, WALL OUTLET - CAT. # 8945-W/T-1-FM		
	<b>MANUFACTURE DATE</b> OCTOBER 1999 TO PRESENT	<b>DATE ISSUED</b> 06/23/00	<b>DRAWING NUMBER</b> 9935-050-001
		<b>DATE REVISED</b> 05/24/07	